

DOWNERS GROVE GRADE SCHOOL DISTRICT 58 BELLE AIRE ELEMENTARY SCHOOL

3935 BELLE AIRE LANE
DOWNERS GROVE, IL 60515



DOWNERS GROVE GRADE SD 58



Wight & Company
wightco.com

2500 North Frontage Road
Darien, IL 60561

P 630.969.7000
F 630.969.7979

PROJECT TEAM

CLIENT:

DOWNERS GROVE SCHOOL
DISTRICT 58
1435 PRAIRIE AVENUE
PHONE: 630-719-5858
CONTACT: KEVIN BARTO

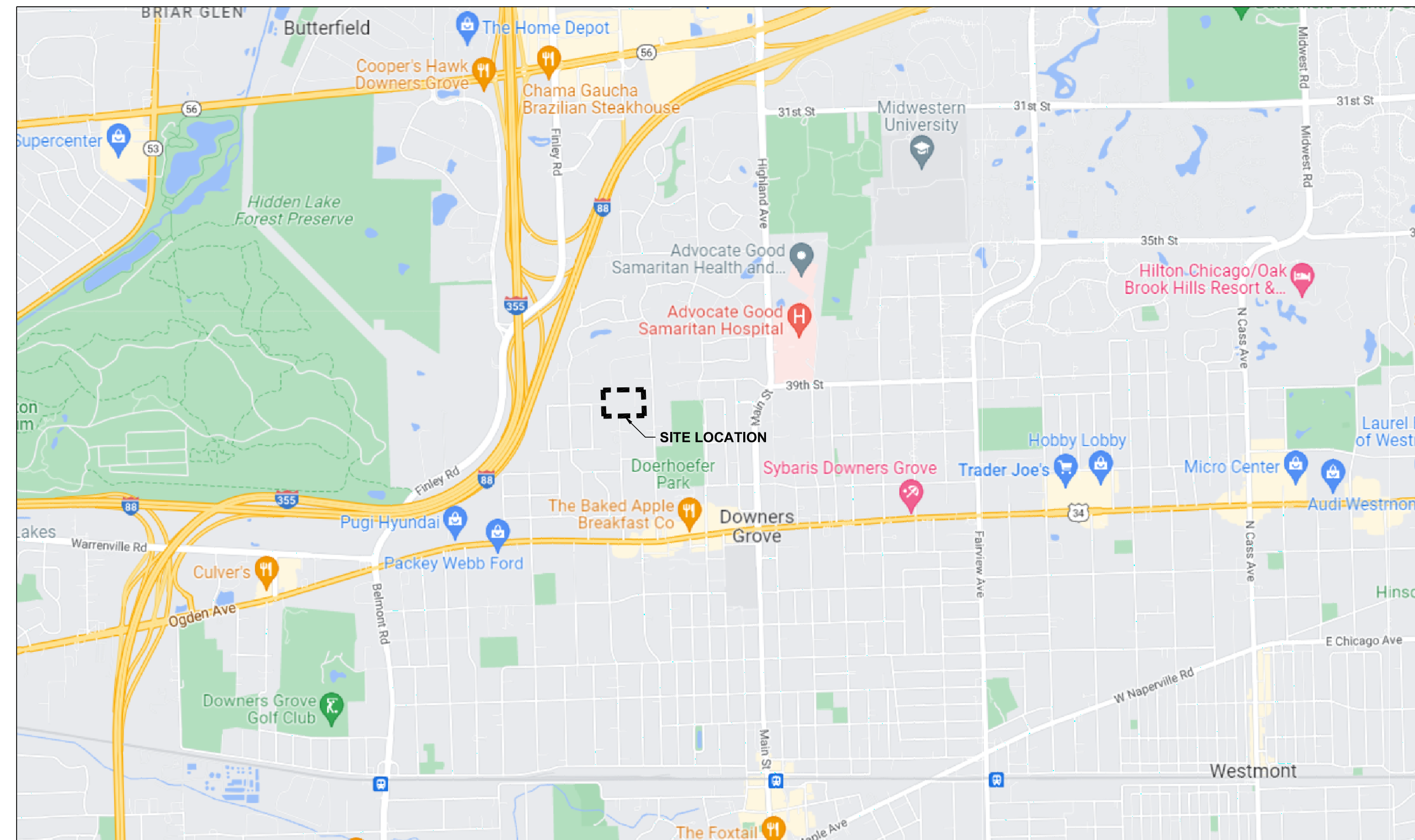
CIVIL ENGINEER:

WIGHT & COMPANY
2500 NORTH FRONTAGE ROAD
DARIEN, IL 60561
PHONE: (630)969-7000
FAX: (630)969-7979
CONTACT: DAVID EVANS
Design Firm Registration #184-000451

LANDSCAPE ARCHITECT:

WIGHT & COMPANY
2500 NORTH FRONTAGE ROAD
DARIEN, IL 60561
PHONE: (630)969-7000
FAX: (630)969-7979
CONTACT: PATTY KING
Design Firm Registration #184-000451

LOCATION MAP



INDEX OF DRAWINGS

CIVIL	
C0.00	COVER SHEET
C0.01	GENERAL NOTES
C1.00	EXISTING CONDITIONS AND DEMOLITION PLAN
C2.00	SITE PLAN
C3.00	GRADING AND DRAINAGE PLAN
C3.01	UTILITY PROFILE PLAN
C4.00-C4.01	DETAILS
LANDSCAPE	
L1.00	LANDSCAPE PLAN

UTILITY LOCATE

FOR UNDERGROUND UTILITY
LOCATIONS, CALL J.U.L.I.E.
TOLL FREE (800) 892-0123

JULIE SUBURBS & DIGG CHICAGO

- YELLOW ——— GAS
- RED ——— ELECTRICAL
- ORANGE ——— PHONE / TV COMMUNICATION
- BLUE ——— WATER
- GREEN ——— SEWERS
- WHITE ——— SAFE TO DIG

BENCHMARKS

REFERENCE:

- DUPAGE COUNTY 2006 GEODETIC SURVEY MONUMENT DGN090001 (PID DK3125)- BERNTSEN TOP SECURITY ROD MONUMENT, UNDER ACCESS COVER, 3 FEET EAST OF THE EAST SIDEWALK OF FAIRVIEW AVENUE AND THE CENTERLINE OF WILSON STREET. STATION IS 63.3 FEET NORTH OF A BRICK SIDEWALK TO A PARK PAVILION AND 11.7 FEET NORTHEAST OF A LIGHT POLE.
ELEVATION = 733.22 (NAVD 88)

SITE:

- BM 1 - CUT "X" IN WALK EAST OF THE DRIVE ENTRANCE AND NORTH OF THE BELLE AIRE AVENUE DROP-OFF TURN AROUND.
NORTHING = 1,875,292.51
EASTING = 1,069,415.55 ELEVATION = 751.91
- BM 2 - SET MAG NAIL IN CENTER OF PATH 12 FEET ± EAST OF EAST BASEBALL FIELD FENCE.
NORTHING = 1,875,442.32
EASTING = 1,069,360.20 ELEVATION = 749.10
- BM 3 - SET MAG NAIL IN ASPHALT PLAYGROUND 35 FEET WESTERLY OF SCHOOL DOOR #4 AND 5.5 FEET ± SOUTH OF NORTH EDGE OF PAVEMENT.
NORTHING = 1,875,530.45
EASTING = 1,069,531.97 ELEVATION = 752.23
- BM 4 - SET MAG NAIL IN ASPHALT PLAYGROUND 11 FEET EASTERLY OF SCHOOL DOOR #5 AND 8.1 FEET ± SOUTH NORTH EDGE OF PAVEMENT.
NORTHING = 1,875,469.45
EASTING = 1,069,635.62 ELEVATION = 752.75

ENGINEER'S CERTIFICATION

I HEREBY CERTIFY THAT THESE PLANS WERE PREPARED UNDER MY DIRECT SUPERVISION AND THAT THE DEVELOPMENT MEETS THE SOIL EROSION AND SEDIMENT CONTROL DESIGN CRITERIA FOUND IN ARTICLE 26.900. I ACKNOWLEDGE THAT THE SITE COMPLIES WITH IPEA NPDES ILR10 PERMIT (FOR DEVELOPMENTS WITH DISURBANCE > 1 ACRE). TO THE BEST OF MY KNOWLEDGE THERE ARE NO KNOWN LPDA'S, FLOODPLAINS, WETLANDS, AND/OR BUFFERS LOCATED ON THE SITE.

DATED AT DARIEN, ILLINOIS,

THIS ___ DAY OF ___, 2023

SIGNED: _____
ENGINEER

EXPIRATION DATE: NOVEMBER, 30, 2023

ISSUED FOR BID	02-16-23
ISSUED FOR PERMIT	01-26-23
REV	DESCRIPTION DATE

BELLE AIRE PLAYGROUND

3935 BELLE AIRE LANE
DOWNERS GROVE, IL 60515

COVER SHEET

Project Number: 210223
Scale: _____
Drawn By: _____
LMB
Sheet:

C0.00

GENERAL

- EXISTING SITE TOPOGRAPHY, UTILITIES, AND HORIZONTAL CONTROL SHOWN ON THE DRAWINGS WERE FIELD MEASURED BY CIVIL & ENVIRONMENTAL CONSULTANTS, INC. (CEI). UNDERGROUND UTILITY LOCATIONS ARE SHOWN BASED ON BEST AVAILABLE INFORMATION. TRADE CONTRACTOR IS RESPONSIBLE FOR VERIFYING ALL UTILITY LOCATIONS, INVERTS, RIMS, PIPE SIZE, MATERIAL TYPE, ETC. PRIOR TO CONSTRUCTION. ANY DISCREPANCIES SHALL BE BROUGHT TO THE ATTENTION OF THE ENGINEER IMMEDIATELY.
- ELEVATIONS ARE BASED ON ILLINOIS STATE PLANE COORDINATE SYSTEM NAVD 88 DATUM.
- THE TRADE CONTRACTOR SHALL SUBSCRIBE TO ALL GOVERNING REGULATIONS AND SHALL ABIDE BY THE REQUIREMENTS OF ALL APPLICABLE PERMITS.
- ALL APPLICABLE PROVISIONS OF THE CURRENT OCCUPATIONAL HEALTH AND SAFETY ACT ARE HEREIN INCORPORATED BY REFERENCE.
- NO BURNING OR INCINERATION OF RUBBISH IS PERMITTED ON THE SITE.
- STREET AND DRIVEWAY PAVEMENT SHALL BE PROTECTED FROM DAMAGE. ANY DAMAGE SHALL BE REPAIRED PER THE VILLAGE OF DOWNERS GROVE REQUIREMENTS. MATERIALS AND WORKMANSHIP OF REPAIRS SHALL CONFORM TO THE IDOT STANDARD SPECIFICATIONS FOR ROAD AND BRIDGE CONSTRUCTION IN ILLINOIS (LATEST EDITION), THE SUPPLEMENTAL SPECIFICATIONS AND RECURRING SPECIAL PROVISIONS (LATEST EDITION) PREPARED BY ILLINOIS DEPARTMENT OF TRANSPORTATION (IDOT), HEREIN AFTER REFERRED TO AS THE "STANDARD SPECIFICATIONS"; AND ILLINOIS ENVIRONMENTAL PROTECTION AGENCY ILLINOIS URBAN MANUAL, LATEST EDITION, AND "STANDARD SPECIFICATIONS FOR WATER AND SEWER MAIN CONSTRUCTION IN ILLINOIS", HEREIN AFTER REFERRED TO AS "ISPE STANDARDS" SHALL GOVERN THE CONSTRUCTION OF THESE IMPROVEMENTS EXCEPT AS MODIFIED BY THE CONTRACT DOCUMENTS.
- THE "DEVELOPMENT REGULATIONS", LATEST EDITION, AS ADOPTED BY THE VILLAGE OF DOWNERS GROVE, ILLINOIS, HEREIN AFTER REFERRED TO AS THE "DEVELOPMENT REGULATIONS" INCLUDING ALL VILLAGE STANDARD DETAILS AND SPECIFICATIONS; THE "STANDARD SPECIFICATIONS FOR ROAD AND BRIDGE CONSTRUCTIONS (LATEST EDITION) AND THE SUPPLEMENTAL SPECIFICATIONS AND RECURRING SPECIAL PROVISIONS (LATEST EDITION)" PREPARED BY ILLINOIS DEPARTMENT OF TRANSPORTATION (IDOT), HEREIN AFTER REFERRED TO AS THE "STANDARD SPECIFICATIONS"; AND ILLINOIS ENVIRONMENTAL PROTECTION AGENCY ILLINOIS URBAN MANUAL, LATEST EDITION, AND "STANDARD SPECIFICATIONS FOR WATER AND SEWER MAIN CONSTRUCTION IN ILLINOIS", HEREIN AFTER REFERRED TO AS "ISPE STANDARDS" SHALL GOVERN THE CONSTRUCTION OF THESE IMPROVEMENTS EXCEPT AS MODIFIED BY THE CONTRACT DOCUMENTS.
- ALL CONNECTIONS TO EXISTING UTILITIES SHALL BE CONSTRUCTED IN ACCORDANCE WITH THE REGULATIONS OF THE VILLAGE OF DOWNERS GROVE, ILLINOIS AND THE STANDARD SPECIFICATIONS FOR WATER AND SEWER MAIN CONSTRUCTION IN ILLINOIS, HEREIN AFTER REFERRED TO AS ISPE STANDARDS.
- ALL FACILITIES OR LANDSCAPING DAMAGED DURING CONSTRUCTION SHALL BE RESTORED TO ORIGINAL CONDITION BY THE RESPONSIBLE TRADE CONTRACTOR.
- PROPOSED ELEVATIONS INDICATE FINISHED GRADES. FOR SUBGRADE ELEVATIONS, ALLOW FOR THICKNESS OF PROPOSED PAVING OR TOPSOIL THICKNESS.
- THE TRADE CONTRACTOR SHALL NOTIFY THE VILLAGE OF DOWNERS GROVE, ILLINOIS 48 HOURS BEFORE THE COMMENCEMENT OF CONSTRUCTION.
- SHOULD THE TRADE CONTRACTOR ENCOUNTER FIELD DRAINAGE TILE NOT SHOWN ON THE DRAWINGS, THE CONTRACTOR SHALL IMMEDIATELY CONTACT THE ENGINEER AND THE VILLAGE OF DOWNERS GROVE FOR INSTRUCTIONS. SHOULD THE ENGINEER OR VILLAGE OF DOWNERS GROVE INSTRUCT THAT DAMAGED FIELD TILES BE RESTORED TO THEIR ORIGINAL CONDITION, THAT REPAIR SHALL BE CONSIDERED INCIDENTAL TO THE CONTRACT. THE LOCATION OF FOUND DRAINAGE TILE SHALL BE INDICATED ON THE RECORD DRAWINGS.
- ALL TRENCHES SHOULD FOLLOW THE VILLAGE OF DOWNERS GROVE STANDARD DETAILS INCLUDED IN THE CIVIL DETAILS. TRENCHES ARE TO BE BACKFILLED WITH TRENCH BACKFILL AND COMPACTED TO 95% MODIFIED PROCTOR DENSITY, AS REQUIRED BY THE VILLAGE OF DOWNERS GROVE AND THE ISPE STANDARDS.
- TRADE CONTRACTOR IS RESPONSIBLE FOR CALLING J.U.L.L.E. AT 1-800-892-0123 OR 811 AND NOTIFYING THE CONSTRUCTION MANAGER AT LEAST 48 HOURS PRIOR TO BEGINNING ANY EXCAVATION. CONTRACTOR IS RESPONSIBLE FOR MAINTAINING UTILITY MARKINGS THROUGHOUT CONSTRUCTION.
- ALL DIMENSIONS, CURB RADII AND ELEVATIONS REFER TO THE BACK OF CURB WHERE CURB IS SHOWN. COORDINATES ARE TO BACK OF CURB, CENTER OF STRUCTURES OR AS SHOWN.
- WHERE PAVEMENT, CURB OR SIDEWALK REMOVAL IS REQUIRED, THE TRADE CONTRACTOR SHALL SAW CUT THE BOUNDARIES OF THE AREA TO BE REMOVED PRIOR TO DEMOLITION.
- TRADE CONTRACTOR IS RESPONSIBLE FOR LAYOUT, LINE AND GRADE FOR ITEMS INCLUDED IN THE CONTRACT SCOPE OF WORK. CONTRACTOR TO USE CAD FILES AS PROVIDED BY THE ENGINEER FOR GEOMETRIC LAYOUT.
- TRADE CONTRACTOR IS RESPONSIBLE FOR KEEPING THE PUBLIC STREET CLEAN OF DEBRIS.
- "BAND SEAL" JOINTS WITH STAINLESS STEEL STRAPS AND BOLTS SHALL BE USED WHEN CONNECTING DISSIMILAR MATERIALS.
- ALL EXISTING UTILITY STRUCTURES SHALL BE ADJUSTED AS NECESSARY TO MATCH FINISH GRADE. ALL EXISTING UTILITY STRUCTURES REQUIRING ADJUSTMENT OR RECONSTRUCTION SHALL BE COMPLETED BY THE CONTRACTOR TO THE SATISFACTION OF THE UTILITY OWNER. ADJUSTMENTS AND/OR RECONSTRUCTIONS NOT CALLED FOR ON THE PLANS SHALL BE CONSIDERED INCIDENTAL TO THE CONTRACT. NO MORE THAN A TOTAL OF 12 INCHES OF ADJUSTING RINGS AND/OR 2 ADJUSTING RINGS SHALL BE ALLOWED.
- IF EXISTING UTILITY LINES OF ANY NATURE ARE ENCOUNTERED WHICH CONFLICT IN LOCATION AND/OR ELEVATION WITH NEW CONSTRUCTION, THE CONTRACTOR SHALL NOTIFY THE ENGINEER AND CONSTRUCTION MANAGER SO THAT THE CONFLICT MAY BE RESOLVED.
- THE CONTRACTOR IS RESPONSIBLE FOR ALL AS-BUILT SURVEYS. ALL AS-BUILT SURVEYS SHALL BE COMPLETED BY A PROFESSIONAL LAND SURVEYOR AND BE SIGNED AND SEALED. THE CONTRACTOR SHALL SUBMIT TWO SETS OF THE "AS-BUILT" FINAL ENGINEERING DRAWINGS (I.E. RECORD DRAWINGS) AND STORMWATER MANAGEMENT CALCULATIONS UPON COMPLETION OF THE PROJECT AND INCLUDING ELECTRONIC CAD FILES. THE RECORD DRAWINGS SHOULD AT LEAST INCLUDE THE FOLLOWING INFORMATION: AS-BUILT DETENTION CONTOURS, ELEVATIONS (INCLUDING DETENTION BASIN TOP OF BERM AND OVERFLOW WEIR GRADES) AND VOLUME (VERIFIED, SIGNED, & SEALED BY A PROFESSIONAL ENGINEER (PE) OR PROFESSIONAL LAND SURVEYOR (PLS)); ELEVATION AND LOCATION (TIES TO TWO POINTS) OF ALL NEW STRUCTURES INCLUDING FIRE HYDRANTS, VALVE BOXES AND VAULTS, LINESTOP SLEEVES, WATER SERVICE CORPORATION STOPS, WATER MAIN FITTINGS/BENOS, MANHOLES, SANITARY SERVICE WYES (MEASURED FROM DOWNSTREAM MANHOLE), ALL STORMWATER SEWER STRUCTURES (INCLUDING INVERTS AND PIPE SIZES), ALL PIPES (LOCATIONS, SLOPES, LENGTHS, ETC.), OUTLET CONTROL STRUCTURES (INCLUDING RESTRICTOR SIZES AND ELEVATIONS PLUS TOP OF WALL) AND ABANDONED WATER OR SANITARY SERVICE LINES. DETAILED TOPOGRAPHIC SURVEY OF ALL HIGH POINTS, LOW POINTS, CHANGE OF SLOPE INCLUDING GUTTER GRADES, TOP OF CURB GRADES, PAVEMENT GRADES, SIDEWALK GRADES, RAMP GRADES, ETC. TO VERIFY POSITIVE DRAINAGE. ALL ELEVATIONS SHOULD BE REFERENCED TO THE SAME BENCHMARK DATUM AS THE ORIGINAL DESIGN PLANS. HORIZONTAL TIES SHALL BE REFERENCED TO LOT LINES, BACK OF CURB, OR PROPERTY CORNERS, WITHIN DETENTION/BMP AREAS; FOR VERIFICATION OF DETENTION VOLUME AND SUBBASE GRADES. PRIOR TO BACK FILLING WITH CA-7, THE CONTRACTOR SHALL PROVIDE ENGINEER WITH A CERTIFIED TOP SURVEY OF AS-BUILT SUBBASE GRADES FOR ENGINEER APPROVAL AND ALSO A COPY OF RECEIPT OF THE CA-7 AGGREGATE.
- EMERGENCY VEHICLE ACCESS IS TO BE MAINTAINED THROUGHOUT DURATION OF PROJECT. VEHICLE ACCESS IS TO BE CLEARLY MARKED. ANY ALTERATION OF EMERGENCY VEHICLE ROUTE OR ACCESS IS TO BE APPROVED BY THE VILLAGE OF DOWNERS GROVE, ILLINOIS.

TRAFFIC CONTROL

- THE TRADE CONTRACTOR SHALL PROVIDE TRAFFIC CONTROL (IDOT STANDARD 701006) AT ALL TIMES WHEN ANY VEHICLES, EQUIPMENT, WORKER, OR ACTIVITY ENCRORCH ADJACENT ROADWAYS FROM 15 FEET TO THE EDGE OF PAVEMENT. THE TRADE CONTRACTOR SHALL PROVIDE TRAFFIC CONTROL (IDOT STANDARD 701501) WHEN ACTIVITY ENCRORCHES THE EDGE OF PAVEMENT FOR THESE ROADS.
- IF THE OPERATION IS 15 FEET OR MORE, OFF THE EDGE OF PAVEMENT, NO SIGNING WILL BE REQUIRED UNLESS TWO OR MORE VEHICLES CROSS THE 15 FOOT CLEAR ZONE IN ONE HOUR
- WHEN WORKING WITHIN 2 FEET OF THE PAVEMENT EDGE, CONES, DRUMS, OR BARRICADES SHALL BE PLACED ACCORDING TO THE STANDARD 701101 REQUIREMENTS.
- CONTRACTOR MUST FOLLOW ALL VILLAGE OF DOWNERS GROVE AND DUPAGE COUNTY DEPARTMENT OF TRANSPORTATION REQUIREMENTS FOR TRAFFIC CONTROL.

HOT MIX ASPHALT PAVING

- SUBGRADE PREPARATION, BASE COURSE PLACEMENT, AND HMA PAVEMENT SHALL BE IN ACCORDANCE WITH APPLICABLE SECTIONS OF THE STANDARD SPECIFICATIONS AND RECOMMENDATIONS OF THE GEOTECHNICAL REPORT.
- DEPRESSIONS OF FINAL HMA SURFACES SHALL NOT EXCEED 1/4 INCH FROM PROPOSED CORRECTIONS TO NON-COMPLIANT AREAS ORDERED BY THE CONSTRUCTION MANAGER SHALL BE MADE AT NO ADDITIONAL CHARGE.
- ALL SIGNAGE AND STRIPING SHALL BE IN ACCORDANCE WITH THE STANDARD SPECIFICATIONS AND THE MANUAL ON UNIFORM TRAFFIC CONTROL DEVICES, LATEST EDITION.

STORM SEWER

- CONTRACTOR TO FOLLOW ALL VILLAGE OF DOWNERS GROVE REQUIREMENTS.
- ALL STORM STRUCTURES AND SEWERS ARE TO BE CLEANED PRIOR TO FINAL ACCEPTANCE. THE TRADE CONTRACTOR SHALL BE RESPONSIBLE FOR CLEANING SEDIMENT FROM THE STORM SEWER STRUCTURES AND PIPES DURING CONSTRUCTION AND UNTIL 90% OF VEGETATION IS ESTABLISHED.
- MANHOLES, CATCH BASINS, INLETS, BEDDINGS AND TRENCH BACKFILL SHALL CONFORM TO THE CONSTRUCTION DETAILS, STANDARD SPECIFICATIONS AND ISPE SPECIFICATIONS.
- ALL STORM SEWER SHOULD BE PVC SDR 26 OR STRONGER.

EARTHWORK

- ALL AREAS SHALL BE CLEARED AND TILLED IN PREPARATION TO RECEIVE SEED. REFER TO SPECIFICATIONS FOR REQUIREMENTS.
- THE TRADE CONTRACTOR SHALL APPLY FERTILIZER AND SEED TO ALL DISTURBED AREAS, AS NOTED ON THE CONSTRUCTION DRAWINGS. TRADE CONTRACTOR SHALL APPLY FERTILIZER AND SEED USING THE HYDROSEED METHOD. FERTILIZER AND SEED QUANTITIES AND SEEDING PROCEDURES SHALL CONFORM TO THE SPECIFICATIONS.
- THE TRADE CONTRACTOR WILL INSPECT THE SEEDED AREAS AFTER SEEDING, TO RECEIVE FINAL ACCEPTANCE. SEEDED AREAS MUST SUPPORT DENSE, THRIVING GRASSES SUFFICIENT TO PROTECT THE SOIL FROM EROSION IN A MODERATE RAINFALL AREAS THAT, IN THE OPINION OF THE OWNER & ENGINEER, DO NOT MEET THIS REQUIREMENT, MUST BE IMMEDIATELY RESEED. REFER TO SPECIFICATIONS FOR ALL REQUIREMENTS.
- TOPSOIL FOR RESTORATION AREAS SHALL COMPLY WITH THE STANDARD SPECIFICATIONS. TOPSOIL MAY BE SALVAGED FROM THE SITE AND STOCKPILED FOR REUSE WHEN ALL WORK IS COMPLETED. ADDITIONAL TOPSOIL REQUIRED TO COMPLETE THE JOB SHALL BE OBTAINED FROM OFF-SITE SOURCES AT THE TRADE CONTRACTOR'S EXPENSE. SALVAGED TOPSOIL SHALL BE SUBJECT TO THE ENGINEER'S APPROVAL AND WILL BE REJECTED IF NOT CLEAN, UNCONTAMINATED MATERIAL.
- THE CROWNS AND ROOT OF TREES WHICH ARE TO BE PRESERVED IN THE PROJECT AREA, BUT WHICH COULD BE NEGATIVELY AFFECTED DURING THE CONSTRUCTION PROCESS, SHALL BE PRUNED BY A QUALIFIED ARBORIST ACCORDING TO THE TREE PRUNING STANDARDS SET BY ANSI Z100 CODE.
- POROUS GRANULAR EMBANKMENT, SUBGRADE

THIS WORK CONSISTS OF FURNISHING, PLACING, AND COMPACTING POROUS GRANULAR MATERIAL AS DIRECTED BY THE ENGINEER. POROUS GRANULAR EMBANKMENT SHALL CONSIST OF CA-1 AGGREGATE CAPPED WITH A 3 INCHES NOMINAL THICKNESS TOP LIFT OF CA-9 CAPPING AGGREGATE. THE MATERIAL SHALL BE USED AS A BRIDGING LAYER OVER SOFT, PUMPY, AND LOOSE SOIL AND SHALL CONFORM.

THE POROUS GRANULAR MATERIAL SHALL BE PLACED IN ONE LIFT WHEN THE TOTAL THICKNESS TO BE PLACED IS 2 FEET OR LESS OR AS DIRECTED BY THE ENGINEER. EACH LIFT OF THE POROUS GRANULAR MATERIAL SHALL BE ROLLED WITH A VIBRATORY ROLLER MEETING THE REQUIREMENTS OF THE STANDARD SPECIFICATIONS TO OBTAIN THE DESIRED KEYING OR INTERLOCK AND COMPACTION. THE ENGINEER SHALL VERIFY THAT ADEQUATE KEYING HAS BEEN OBTAINED.

CONSTRUCTION EQUIPMENT NOT NECESSARY FOR THE COMPLETION OF THE REPLACEMENT MATERIAL WILL NOT BE ALLOWED ON THE UNDERCUT AREAS UNTIL COMPLETION OF THE RECOMMENDED THICKNESS OF THE POROUS GRANULAR EMBANKMENT SUBGRADE.

FULL DEPTH SUBGRADE UNDERCUT SHOULD OCCUR AT LIMITS DETERMINED BY THE ENGINEER. A TRANSITION SLOPE TO THE FULL DEPTH OF UNDERCUT SHALL BE MADE OUTSIDE OF THE UNDERCUT LIMITS AT A TAPER OF 1 FOOT LONGITUDINAL PER 1 INCH DEPTH BELOW THE PROPOSED SUBGRADE OR BOTTOM OF THE PROPOSED AGGREGATE SUBGRADE WHEN INCLUDED IN THE CONTRACT.

THIS WORK WILL BE MEASURED FOR PAYMENT IN ACCORDANCE WITH THE STANDARD SPECIFICATIONS, (WHEN SPECIFIED ON THE CONTRACT, THE THEORETICAL ELEVATION OF THE BOTTOM OF THE AGGREGATE SUBGRADE SHALL BE USED TO DETERMINE THE UPPER LIMIT OF POROUS GRANULAR EMBANKMENT, SUBGRADE. THE VOLUME WILL BE COMPUTED BY THE METHOD OF AVERAGE END AREAS.

THIS WORK SHALL BE PAID FOR AT THE CONTRACT UNIT PRICE PER CUBIC YARD FOR POROUS GRANULAR EMBANKMENT, SUBGRADE WHICH PRICE SHALL INCLUDE THE CAPPING AGGREGATE, WHEN REQUIRED.

THE POROUS GRANULAR EMBANKMENT, SUBGRADE SHALL BE USED AS FIELD CONDITIONS WARRANT AT THE TIME OF CONSTRUCTION.

- SPECIAL EXCAVATION
- WORK UNDER THIS ITEM SHALL BE PERFORMED IN ACCORDANCE WITH THE STANDARD SPECIFICATIONS EXCEPT AS HEREIN MODIFIED.
- SPECIAL EXCAVATION SHALL INCLUDE THE SATISFACTORY REMOVAL AND OFF-SITE DISPOSAL OF ALL UNSUITABLE MATERIAL BELOW THE SUBGRADE ELEVATION.
- AFTER EXCAVATING TO THE REQUIRED SUBGRADE LEVEL, THE ENGINEER & GEOTECH ENGINEER SHALL INSPECT THE SUBGRADE. PRIOR TO PLACING ANY PAVEMENT SECTION MATERIAL THE EXCAVATION LEVEL OR SUBGRADE LEVEL SHALL BE COMPACTED AND, WHERE POSSIBLE, PROOF ROLLED WITH A 40,000 LB TANDEM AXLE TRUCK BY MAKING AT LEAST 4 PASSES. THE COMPACTING AND PROOF ROLLING WILL DETECT SOFT OR UNSTABLE POCKETS OF MATERIAL WHICH SHALL BE REMOVED AND REPLACED AS HEREIN SPECIFIED. THE COMPACTING AND PROOF ROLLING SHALL BE INCIDENTAL TO THE WORK AND NO ADDITIONAL COMPENSATION WILL BE PAID.
- IF THE EXISTING SUBGRADE SOIL IS NOT SUITABLE FOR PROVIDING AN IFR SOIL SUPPORT VALUE OF 2, THE TRADE CONTRACTOR SHALL REMOVE THE UNSUITABLE SUBGRADE SOIL BELOW THE PROPOSED SUBGRADE LEVEL TO A DEPTH AS DIRECTED BY THE ENGINEER. COMPACT AND PROOF ROLL THE EXCAVATED AREA. IF UPON PROOF ROLLING THE SUBGRADE IS STILL UNSUITABLE, ADDITIONAL EXCAVATION MAY BE REQUIRED. NO ADDITIONAL COMPENSATION WILL BE MADE REGARDLESS OF THE NUMBER OF TIMES THE AREA IS COMPACTED AND PROOF ROLLED.
- CA-1 SHALL BE USED TO BRING THE SUBGRADE TO THE PROPOSED ELEVATION AS INDICATED UNDER THE ITEM POROUS GRANULAR EMBANKMENT, SUBGRADE. POROUS GRANULAR EMBANKMENT, SUBGRADE IS NOT CONSIDERED PART OF THIS ITEM.
- THOSE AREAS OF SUBGRADE WHICH ARE NOT OVER EXCAVATED SHALL ALSO BE COMPACTED TO 95% OF MAXIMUM DENSITY AS DETERMINED BY AASHTO T-99.
- SPECIAL EXCAVATION AS SHOWN ON THE PLANS AND AS DIRECTED BY THE ENGINEER WILL BE MEASURED FOR PAYMENT IN PLACE AND THE VOLUME IN CUBIC YARDS COMPUTED BY THE METHOD OF AVERAGE END AREAS. EXCAVATION IN EXCESS OF THAT AUTHORIZED SHALL NOT BE MEASURED FOR PAYMENT.
- THIS WORK SHALL BE PAID FOR AT THE CONTRACT UNIT CUBIC YARD FOR SPECIAL EXCAVATION, WHICH PRICE SHALL INCLUDE ALL COSTS ASSOCIATED WITH UNSUITABLE MATERIAL REMOVAL AND LEGAL DISPOSAL, GRADING COMPACTING AND PROOF ROLLING OF SUBGRADE.
- THE OWNER IS REQUIRED TO HAVE A GEOTECHNICAL ENGINEER ON-SITE TO MONITOR EARTHWORK, AND THE GRADING ACTIVITY. IN ORDER TO IDENTIFY UNSUITABLE SOILS FOR REMOVAL FROM THE SITE, CONTRACTOR TO ENSURE REQUIREMENTS ARE MET.

SEDIMENT AND EROSION CONTROL

- AN INITIAL SEDIMENTATION AND EROSION CONTROL INSPECTION IS REQUIRED PRIOR TO STARTING CONSTRUCTION. THE APPLICANT IS DIRECTED TO CONTACT THE COMMUNITY DEVELOPMENT DEPARTMENT AT 630-434-5529 TO SCHEDULE THIS INSPECTION; THIS NOTIFICATION SHALL BE AT LEAST 24 HOURS IN ADVANCE OF CONSTRUCTION.
- THE SEDIMENT AND EROSION CONTROL DEVICES SHALL BE FUNCTIONAL BEFORE ANY LAND IS DISTURBED ON THE SITE.
- STOCKPILES OF SOIL SHALL NOT BE LOCATED WITHIN ANY DRAINAGE WAYS, FLOODPLAINS, WETLANDS, BUFFERS OR LPDAS.
- SEDIMENT AND EROSION CONTROL SHALL BE PROVIDED FOR ANY SOIL STOCKPILE IF IT IS TO REMAIN IN PLACE FOR MORE THAN THREE DAYS INCLUDING A DOUBLE ROW OF SILT FENCE OR COIR ROLL.
- PROPERTIES DOWNSTREAM FROM THE SITE SHALL BE PROTECTED FROM EROSION IF THE VOLUME, VELOCITY, SEDIMENT LOAD, OR PEAK FLOW RATES OF STORMWATER RUNOFF ARE TEMPORARILY INCREASED DURING CONSTRUCTION.
- STORM SEWER INLETS SHALL BE PROTECTED WITH SEDIMENT TRAPPING OR FILTER CONTROL DEVICES DURING CONSTRUCTION.
- THE SURFACE OF STRIPPED AREAS SHALL BE PERMANENTLY OR TEMPORARILY PROTECTED FROM SOIL EROSION WITHIN SEVEN (7) DAYS AFTER FINAL GRADE IS REACHED. STRIPPED AREAS THAT WILL REMAIN UNDISTURBED FOR MORE THAN SEVEN (7) DAYS AFTER INITIAL DISTURBANCE SHALL BE PROTECTED FROM EROSION.
- WATER PUMPED OR OTHERWISE DISCHARGED FROM THE SITE DURING CONSTRUCTION DOWATERING SHALL BE FILTERED.
- A STABILIZED CONSTRUCTION ENTRANCE SHALL BE PROVIDED TO PREVENT THE DEPOSITION OF SOIL ONTO PUBLIC OR PRIVATE ROADWAYS. ANY SOIL REACHING A PUBLIC OR PRIVATE ROADWAY SHALL BE REMOVED BEFORE THE END OF EACH WORKDAY.
- ALL TEMPORARY EROSION CONTROL MEASURES NECESSARY TO MEET THE REQUIREMENTS OF THE VILLAGE OF DOWNERS GROVE STORMWATER AND FLOOD PLAIN ORDINANCE SHALL BE KEPT OPERATIONAL AND MAINTAINED CONTINUOUSLY THROUGHOUT THE PERIOD OF LAND DISTURBANCE UNTIL PERMANENT SEDIMENT AND EROSION AND CONTROL MEASURES ARE OPERATIONAL.
- ALL TEMPORARY EROSION AND SEDIMENT CONTROL MEASURES SHALL BE REMOVED WITHIN THIRTY (30) DAYS AFTER FINAL STABILIZATION IS ACHIEVED. TRAPPED SEDIMENT AND OTHER DISTURBED SOILS RESULTING FROM TEMPORARY MEASURES SHALL BE PROPERLY DISPOSED OF PRIOR TO PERMANENT STABILIZATION.
- TRADE CONTRACTOR SHALL ABIDE BY EROSION CONTROL MEASURES OUTLINED IN THE "ILLINOIS URBAN MANUAL, LATEST EDITION" BY THE ILLINOIS ENVIRONMENTAL PROTECTION AGENCY (IEPA).
- SILT FENCING AND OTHER EROSION CONTROL DEVICES SHALL BE INSTALLED BY THE TRADE CONTRACTOR PRIOR TO THE BEGINNING OF CONSTRUCTION ACTIVITIES TO THE LIMITS DELINEATED ON THE PLANS. NO DISTURBANCE OF LAND IS ALLOWED OUTSIDE THE SILT FENCE AND PROJECT LIMITS AS INDICATED ON THE PLANS.
- ALL TEMPORARY AND PERMANENT EROSION AND SEDIMENT CONTROL PRACTICES MUST BE INSPECTED WEEKLY AND MAINTAINED. INSPECTIONS SHALL ALSO BE MADE AFTER A RAINFALL EVENT OF 1/2 INCH OR GREATER OR EQUIVALENT SNOW FALL EVENT. IF NECESSARY, REPAIR OR REPLACEMENT MUST BE PERFORMED IMMEDIATELY TO ASSURE EFFECTIVE PERFORMANCE OF THEIR INTENDED FUNCTIONS.
- IF DOWATERING DEVICES ARE USED, DISCHARGE LOCATIONS SHALL BE PROTECTED FROM EROSION. ALL PUMPED DISCHARGES SHALL BE ROUTED THROUGH APPROPRIATELY DESIGNED SEDIMENT TRAPS, BASINS, SEDIMENT FILTER BAGS OR EQUIVALENT MEASURES.
- STABILIZATION OF DISTURBED AREAS MUST BE INITIATED WITHIN 1 WORKING DAY OR PERMANENT OR TEMPORARY CESSATION OF EARTH DISTURBING ACTIVITIES AND SHALL BE COMPLETED AS SOON AS POSSIBLE BUT NOT LATER THAN 7 DAYS FROM THE INITIATION OF STABILIZATION WORK IN AN AREA.
- MAJOR AMENDMENTS OF THE SITE DEVELOPMENT OR EROSION AND SEDIMENTATION CONTROL PLANS SHALL BE SUBMITTED TO THE MUNICIPALITY TO BE APPROVED IN THE SAME MANNER AS THE ORIGINAL PLANS.
- THE TRADE CONTRACTOR SHALL STABILIZE THE SIDE SLOPES GREATER THAN 10:1 OR WHERE SHOWN ON THE PLANS BY INSTALLING NORTH AMERICAN GREEN SC150BN EROSION CONTROL BLANKET. WITHIN 5 DAYS AFTER FINAL GRADE IS ACHIEVED AND FOLLOWING SEEDING WITH THE TEMPORARY SEED MATRIX, THE EROSION CONTROL BLANKET SHALL BE INSTALLED AS REQUIRED BY THE MANUFACTURER'S STANDARDS AND SPECIFICATIONS.
- TEMPORARY STOCKPILES SHALL HAVE A SILT FENCE ERRECTED AROUND THE PERIMETER OF THE PILE. IF A PILE IS TO REMAIN IN PLACE FOR MORE THAN 14 DAYS, IT SHALL BE TEMPORARY SEEDED.
- SOIL STOCKPILE LOCATIONS MAY BE LOCATED BY THE CONTRACTOR AS NECESSARY ONSITE AND DO NOT NEED TO MATCH EXACT LOCATION AS SHOWN ON THE EROSION AND SEDIMENT CONTROL PLAN. PROVIDE SILT FENCE AROUND ALL STOCKPILE LOCATIONS. NO STOCKPILES SHALL BE PLACED IN THE PROPOSED DETENTION POND OR BE PLACED IN FLOOD PROTECTION AREAS OR THEIR BUFFERS.
- ALL SEDIMENT SHALL BE PREVENTED FROM ENTERING ANY EXISTING STORM DRAINAGE SYSTEM BY THE USE OF INLET PROTECTIONS/FILTER, ROCK CHECK DAMS OR OTHER APPROVED METHODS. THE TRADE CONTRACTOR SHALL BE RESPONSIBLE FOR REMOVING SEDIMENT RESULTING FROM THIS PROJECT FROM ALL SEWERS AND DRAINAGE STRUCTURES (NO FLUSHING DOWNSTREAM) UNTIL 90% OF VEGETATION IS ESTABLISHED.
- TEMPORARY SEDIMENT BARRIERS, INLET PROTECTION/FILTER PROTECTION, FOR STORM SEWER GRATES SHALL BE CONSTRUCTED IN ACCORDANCE WITH THE DETAILS WITHIN THE PLANS AND THE ILLINOIS URBAN MANUAL.
- THE TRADE CONTRACTOR SHALL PRESCRIBE THE METHODS OUTLINED IN THE ILLINOIS URBAN MANUAL TO CONTROL DUST. ACCEPTABLE MEASURES INCLUDE VEGETATIVE COVER (TEMPORARY SEEDING), MULCH, IRRIGATION, STONE, AND PERMANENT VEGETATION (PERMANENT SEEDING). TEMPORARY DUST CONTROL MEASURES (BY MEANS ACCEPTABLE TO LOCAL AUTHORITIES) SHALL BE APPLIED AS NEEDED TO ACCOMPLISH DUST CONTROL.
- IF AN EXISTING ON-SITE ASPHALT ACCESS IS NOT PRESENT THEN, THE TRADE CONTRACTOR SHALL PROVIDE A CONSTRUCTION ACCESS ROAD CONSTRUCTED OF IDOT CA-1 FOR 100 FEET IN LENGTH. THE TRADE CONTRACTOR SHALL MAINTAIN THE ADJACENT ROADS FREE OF MUD AND SEDIMENT AT ALL TIMES. REFER TO THE ILLINOIS URBAN MANUAL STANDARD DRAWING IL-630.
- ALL ACCESS TO AND FROM THE CONSTRUCTION SITE IS TO BE RESTRICTED TO THE CONSTRUCTION ENTRANCE.
- TRADE CONTRACTOR IS RESPONSIBLE FOR KEEPING PUBLIC STREETS CLEAR OF DIRT, DUST, DEBRIS AND MUD ON A DAILY BASIS FOR THE ENTIRE CONSTRUCTION PERIOD BY A MEANS ACCEPTABLE TO LOCAL AUTHORITIES.
- ANY SEDIMENT REACHING A PUBLIC OR PRIVATE ROAD SHALL BE REMOVED BY SHOVELING OR STREET CLEANING (NOT FLUSHING) BEFORE THE END OF EACH WORKDAY AND TRANSPORTED TO A CONTROLLED SEDIMENT DISPOSAL.
- A SWPPP IS NOT ANTICIPATED FOR THIS DEVELOPMENT SINCE THE DISTURBED AREA IS LESS THAN 1.0 ACRES

ABBREVIATIONS

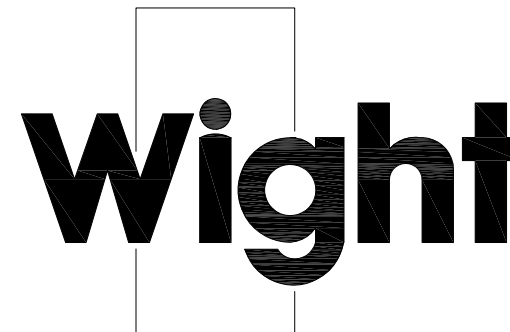
A	ARC LENGTH	MH	MANHOLE
B/C	BACK OF CURB	N.D.L	NO DISTURB LINE
B-B	BACK-TO-BACK OF CURB	N.I.C.	NOT IN CONTRACT
BI	BITUMINOUS PAVEMENT	N.W.E.	NORMAL WATER ELEVATION
B.I.M.	BENCHMARK	P.I.	POINT OF INTERSECTION
B.M.	BENCH MARK	P.R.C.	POINT OF REVERSE CURVATURE
BRW	BOTTOM OF RETAINING WALL	P.W.C.	POLYETHYLENE CHLORIDE
B/W	BACK OF SIDEWALK	P.T.	POINT OF TANGENCY
CHDPE	CLEAN OUT	P.L.	PROPERTY LINE
C	CURB AND GUTTER	P.C.	POINT OF CURVATURE
C & G	CATCH BASIN	PVI	POINT OF VERTICAL INTERSECTION
CP	CONTROL POINT	P.G.	PROFILE GRADE
DWG.	DRAWING	R	RADIUS
D.I.P.	DUCTILE IRON PIPE	RCP	REINFORCED CONCRETE PIPE
DIA.	DIAMETER	REC.	RECORD DIMENSION
D	DISTANCE	R.O.W.	RIGHT-OF-WAY
DC	DEPRESSED CURB	R	RIGHT
D.E.	DRAINAGE EASEMENT	SHT	SHEET
D.V.	DETECTION VOLUME	S	SLOPE
DS	DOWNSPOUT	STA	STATION
ELEV./ EL.	ELEVATION	STMH	STORM MANHOLE
E/P	EDGE OF PAVEMENT	SAN	SANITARY
E.J.	EXPANSION JOINT	SMH	SANITARY MANHOLE
EX.	EXISTING	T.E.	TOP ELEVATION
F.G.	FINISH GRADE	T/C	TOP OF CURB
F-F	FACE-TO-FACE OF CURB OR WALL	T.O.P.	TOP OF PILE
F/L	FLOW LINE	T	TELEPHONE
F.H.	FIRE HYDRANT	TRW	TOP OF RETAINING WALL
F.E.S.	FLARED END SECTION	TYP	TYPICAL
FIP	FOUND IRON PIPE	U.E.	UTILITY EASEMENT
F/F	FINISHED FLOOR	V.C.	VERTICAL CURVATURE
GAV	GAS VALVE	V.I.F.	VERIFY IN FIELD
GF	GRADE AT FOUNDATION	V.I.T.	VITRIFIED HUB TILE
G.L.	GUTTER LINE	V.B.	VALVE BOX
GR	GRADE ELEVATION	V.V.	VALVE VAULT
GV/VV	GATE VALVE IN VALVE VAULT	V.C.P.	VITRIFIED CLAY PIPE
GV/VB	GATE VALVE IN VALVE BOX	VER.	VERTICAL
HDW	HEADWALL	W	WATER
HOR.	HORIZONTAL	W/	WITH
H.W.E.	HIGH WATER ELEVATION	WM	WATER MAIN
I.E. / INV.	INVERT ELEVATION		
INL.	INLET		
IRR.	IRRIGATION		
L	LENGTH		
L.P.	LIGHT POLE		
LEFT	LEFT		
(M)	MEASURED BEARING OR DISTANCE		
M/E	MATCH EXISTING		
M.O.	MID ORDINATE		

LEGEND

EXISTING			
	STORM SEWER		FIRE HYDRANT
	SANITARY SEWER		WATER VALVE VAULT
	WATER MAIN		WATER VALVE BOX
	TELEPHONE		WATER BUFFALO BOX
	ELECTRICAL		WATER METER
	GAS MAIN		ELECTRIC METER
	GUARD RAIL		GAS METER
	EXISTING FENCE		GAS VALVE
	STORM MANHOLE		CLEANOUT
	CATCH BASIN		VILLAGE ELEC. MH
	INLET		COMED ELEC. MH
	FLARED END SECTION		TELEPHONE MH
	SANITARY MANHOLE		SOIL BORING
	DECIDUOUS TREE		LIGHT POLE
	EVERGREEN TREE		POWER POLE
	SIGN		TELEPHONE POLE
PROPOSED			
	COMBINED SEWER		FIBER OPTIC CONDUIT
	STORM SEWER		ELECTRIC LIGHT
	SANITARY SEWER		CLEANOUT ACCESS
	WATER MAIN		FIRE HYDRANT
	TELEPHONE		WATER VALVE VAULT
	ELECTRICAL		WATER VALVE BOX
	GAS MAIN		ELECTRIC MANHOLE
	GUARD RAIL		TELEPHONE PEDESTAL
	STORM MANHOLE		GAS METER
	CATCH BASIN		DOWNSPOUT
	SANITARY MANHOLE		
	DECIDUOUS TREE		
	SIGN		
	TELEVISION		
	ELECTRIC GENERATOR		
	ELECTRIC TRANSFORMER		
	ELECTRIC METER BOX		
	SILT FENCE		
	FENCE/GATE		



DOWNERS GROVE GRADE SD 58



Wight & Company
wightco.com

2500 North Frontage Road
Darien, IL 60561

P 630.969.7000
F 630.969.7979

ISSUED FOR BID	02-16-23	
ISSUED FOR PERMIT	01-26-23	
REV	DESCRIPTION	DATE

BELLE AIRE PLAYGROUND

3935 BELLE AIRE LANE
DOWNERS GROVE, IL 60515

GENERAL NOTES

Project Number: 210223
 Scale:

Drawn By: LMB
 Sheet: _____

C0.01

S:\Darien\Downers Grove SD58\210223_Belle Aire Playground Renovation\01\1 Drawings\02 CD\200036 C1.00 EXISTING CONDITIONS AND DEMO PLAN.dwg kbuck Feb 16, 2023 2:34:05 pm
 Wight & Company 2023 All rights reserved. No part of these documents may be reproduced, stored, or transmitted in any form or by any means, electronic, mechanical, photocopying, recording or otherwise, without the prior written consent of Wight.



LEGEND

	ITEM REMOVAL
	REMOVE HMA AND STONE BASE
	REMOVE PLAY SURFACING - EWFM AND SUBBASE
	REMOVE PLAY SURFACING - PEA GRAVEL AND SUBBASE
	REMOVE CONCRETE AND SUBBASE
	INLET PROTECTION
	SILT FENCE
	TEMPORARY CONSTRUCTION FENCE
	TREE PROTECTION
	LINEAR ITEM REMOVAL

DEMO KEY NOTES

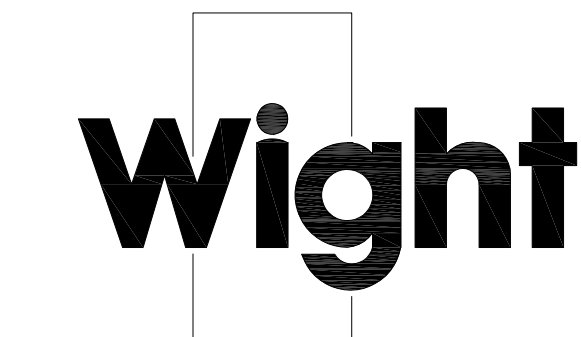
- 1 REMOVE PLAYGROUND EQUIPMENT AND FOUNDATIONS
- 2 SAWCUT
- 3 REMOVE PLAYGROUND CURB
- 4 REMOVE, SALVAGE, AND RELOCATE BACKLESS BENCH. SEE SITE PLAN.
- 5 REMOVE, SALVAGE, AND RELOCATE BUDDY BENCH. SEE SITE PLAN.
- 6 REMOVE, SALVAGE, AND RELOCATE BACKED BENCH. SEE SITE PLAN.

DEMOLITION NOTES

1. CONTRACTOR TO PROTECT ALL EXISTING UTILITIES DURING DEMOLITION & CONSTRUCTION ACTIVITIES, WHETHER SHOWN ON THE PLANS OR NOT, UNLESS OTHERWISE SPECIFIED. ANY RELOCATION, ADJUSTMENTS, CONFLICTS, ETC. SHALL BE BROUGHT TO THE ENGINEER'S ATTENTION IMMEDIATELY. CONTRACTOR TO LOCATE ALL PUBLIC & PRIVATE UTILITIES IN THE RIGHT-OF-WAY AND SITE PRIOR TO CONSTRUCTION.
2. ALL EXISTING CURB TO REMAIN UNLESS OTHERWISE SPECIFIED. ANY CURB DAMAGED DURING DEMOLITION SHALL BE REPLACED IN KIND.
3. ALL EXISTING SIGNS & LIGHT POLES TO REMAIN AND BE PROTECTED UNLESS OTHERWISE SPECIFIED. ANY SIGNS REMOVED SHALL BE SALVAGED AND RELOCATED OR RETURNED TO OWNER.
4. ANY UTILITY ADJUSTMENTS, CONFLICTS, RELOCATIONS, ETC. REQUIRED SHALL BE COORDINATED WITH ENGINEER AND UTILITY OWNER/PROVIDER.
5. ALL EXISTING TREES TO REMAIN AND TO BE PROTECTED UNLESS OTHERWISE SPECIFIED. ANY DAMAGE TO TREES WITHIN THE VILLAGE RIGHT-OF-WAY AS A RESULT OF THIS WORK SHALL BE THE RESPONSIBILITY OF THE APPLICANT TO ADDRESS AT THE DIRECTION OF THE VILLAGE FORESTER.
6. ALL DEMOLITION AND CONSTRUCTION IN THE RIGHT-OF-WAY SHALL BE COORDINATED AND APPROVED BY THE VILLAGE OF DOWNERS GROVE. THE CONTRACTOR IS TO CONTACT THE INSPECTORS AT THE VILLAGE OF DOWNERS GROVE PRIOR TO CONSTRUCTION.
7. CONTRACTOR SHALL PROTECT ALL EXISTING ELECTRIC SERVICES DURING CONSTRUCTION AND NOTIFY ENGINEER IMMEDIATELY OF ANY CONFLICTS.
8. ALL EXISTING SHRUBS AND LANDSCAPING IN CONFLICT WITH SITE IMPROVEMENTS SHALL BE REMOVED.
9. THE CONTRACTOR WILL BE RESPONSIBLE FOR THE REPLACEMENT OF ANY DAMAGED PUBLIC/PRIVATE PROPERTY OR ROADWAY AS A RESULT OF CONSTRUCTION ON THIS SITE. THE RIGHT-OF-WAY MUST BE RESTORED TO EXISTING OR BETTER CONDITION.



DOWNERS GROVE GRADE SD 58



Wight & Company
wightco.com

2500 North Frontage Road
Darien, IL 60561

P 630.969.7000
F 630.969.7979

ISSUED FOR BID	02-16-23	
ISSUED FOR PERMIT	01-26-23	
REV	DESCRIPTION	DATE

BELLE AIRE PLAYGROUND

3935 BELLE AIRE LANE
DOWNERS GROVE, IL 60515

EXISTING CONDITIONS AND DEMOLITION PLAN

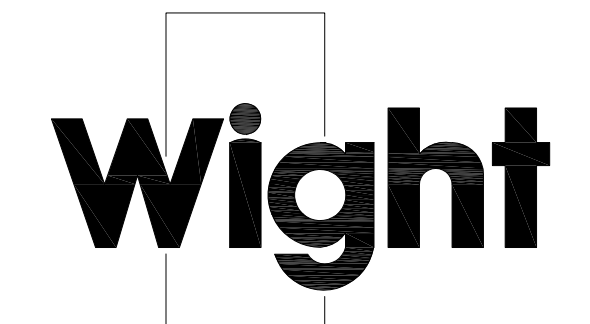
Project Number: 210223
 Scale: 1" = 20'
 Drawn By: LMB
 Sheet: LMB



S:\Darien\Downers Grove SD58\210223_Belle Aire Playground Renovation\01\1 Drawings\02 CD\200036 C2.00 SITE PLAN.dwg k buck Feb 16, 2023 2:34:26 pm
 Wight © Copyright 2023 All rights reserved. No part of these documents may be reproduced, stored, or transmitted in any form or by any means, electronic, mechanical, photocopying, recording or otherwise, without the prior written consent of Wight.



DOWNERS GROVE GRADE SD 58



Wight & Company
 wightco.com

2500 North Frontage Road
 Darien, IL 60561

P 630.969.7000
 F 630.969.7979

LEGEND

	HMA PAVEMENT - VEHICULAR
	CONCRETE PAVING
	PLAY SURFACING - ENGINEERED WOOD FIBER MULCH

KEY NOTES

- 1 PLAYGROUND CURB
- 2 THICKENED EDGE CONCRETE
- 3 PLAYGROUND RAMP
- 4 RELOCATED BACKED BENCH
- 5 RELOCATED BUDDY BENCH
- 6 RELOCATED BACKLESS BENCH
- 7 MAIN PLAYGROUND STRUCTURE. PLAY EQUIPMENT PURCHASED BY OWNER AND INSTALLED BY CONTRACTOR.
- 8 SWINGS. PLAY EQUIPMENT PURCHASED BY OWNER AND INSTALLED BY CONTRACTOR.
- 9 VOLITO SWING. PLAY EQUIPMENT PURCHASED BY OWNER AND INSTALLED BY CONTRACTOR.
- 10 INDEPENDENT CLIMBER. PLAY EQUIPMENT PURCHASED BY OWNER AND INSTALLED BY CONTRACTOR.

SITE PLAN AND LAYOUT NOTES

1. ALL LAYOUT FOR SITE IMPROVEMENTS SHALL BE COMPLETED BY A PROFESSIONAL LAND SURVEYOR HIRED BY THE CONTRACTOR. LAYOUT SHALL BE COMPLETED USING THE ELECTRONIC CAD FILES PROVIDED BY THE ENGINEER. NO ADDITIONAL PAYMENT WILL BE MADE FOR ADJUSTMENT NECESSARY TO CONSTRUCT THE WORK AS DRAWN.
2. CONTRACTOR SHALL OBTAIN APPROVAL OF LAYOUT FROM THE OWNER'S REPRESENTATIVE PRIOR TO CONSTRUCTION. NO ADDITIONAL PAYMENT SHALL BE MADE TO CORRECT WORK IF CONSTRUCTED INCORRECTLY PRIOR TO APPROVAL OF LAYOUT.
3. CONTRACTOR IS RESPONSIBLE FOR MAINTAINING ALL LAYOUT MARKINGS. NO ADDITIONAL PAYMENT WILL BE MADE TO REPLACE MARKINGS.
4. ALL DIMENSIONS, CURB RADII, AND ELEVATIONS REFER TO THE BACK OF CURB WHERE CURB SHOWN UNLESS OTHERWISE SHOWN. ALL WALL DIMENSIONS ARE TO THE FACE OF WALL UNLESS OTHERWISE SHOWN. ALL PAVEMENT DIMENSIONS ARE TO THE EDGE OF PAVEMENT UNLESS OTHERWISE SHOWN. COORDINATES ARE TO THE BACK OF CURB, CENTER OF STRUCTURE, OR AS SHOWN.
5. ALL RADII SHALL BE SMOOTH AND CONTINUOUS AND NOT SEGMENTED. CONTRACTOR TO PROVIDE STAKES A MINIMUM OF EVERY 10 FEET WHERE RADIUS POINTS ARE NOT ACCESSIBLE.
6. ADJUSTMENTS TO STAKE LOCATIONS DUE TO DISCREPANCIES BETWEEN COORDINATES AND DIMENSIONS ARE CONSIDERED INCIDENTAL TO THE WORK.
7. CONTRACTOR RESPONSIBLE TO TAKE DELIVERY, VERIFY CONDITION AND COMPLETENESS, ASSEMBLE AND INSTALL ALL MATERIALS AND FURNISHINGS PER MANUFACTURER'S INSTRUCTIONS.
8. PLACE CONTROL AND EXPANSION JOINTS WHERE INDICATED ON PLANS AND DETAILS FOR CONCRETE WORK. WHERE JOINTS ARE NOT SHOWN, PLACE CONTROL JOINTS IN SPACING TO MATCH PAVEMENT WIDTH OR MAXIMUM OF 10 FEET ON CENTER. EXPANSION JOINTS SHALL BE A MAXIMUM OF 30 FEET ON CENTER AND BETWEEN ALL POURS AND EXISTING CONCRETE OR WALLS.
9. ANY CHANGE TO THE SITE PLAN DURING DESIGN OR IN FIELD DURING CONSTRUCTION MUST BE SUBMITTED IN WRITING TO THE ENGINEER AND VILLAGE OF DOWNERS GROVE.
10. ALL DISTURBED AREAS ON-SITE AND IN THE RIGHT-OF-WAY SHALL BE RESTORED TO EXISTING CONDITION. ALL ITEMS DISTURBED SHALL BE REPLACED INCLUDING ALL LANDSCAPING, CURB, SIDEWALK, PAVEMENT, ETC.
11. ALL EXISTING TREES TO REMAIN AND TO BE PROTECTED UNLESS OTHERWISE NOTED.

ISSUED FOR BID	02-16-23
ISSUED FOR PERMIT	01-26-23
REV	DESCRIPTION DATE

BELLE AIRE PLAYGROUND

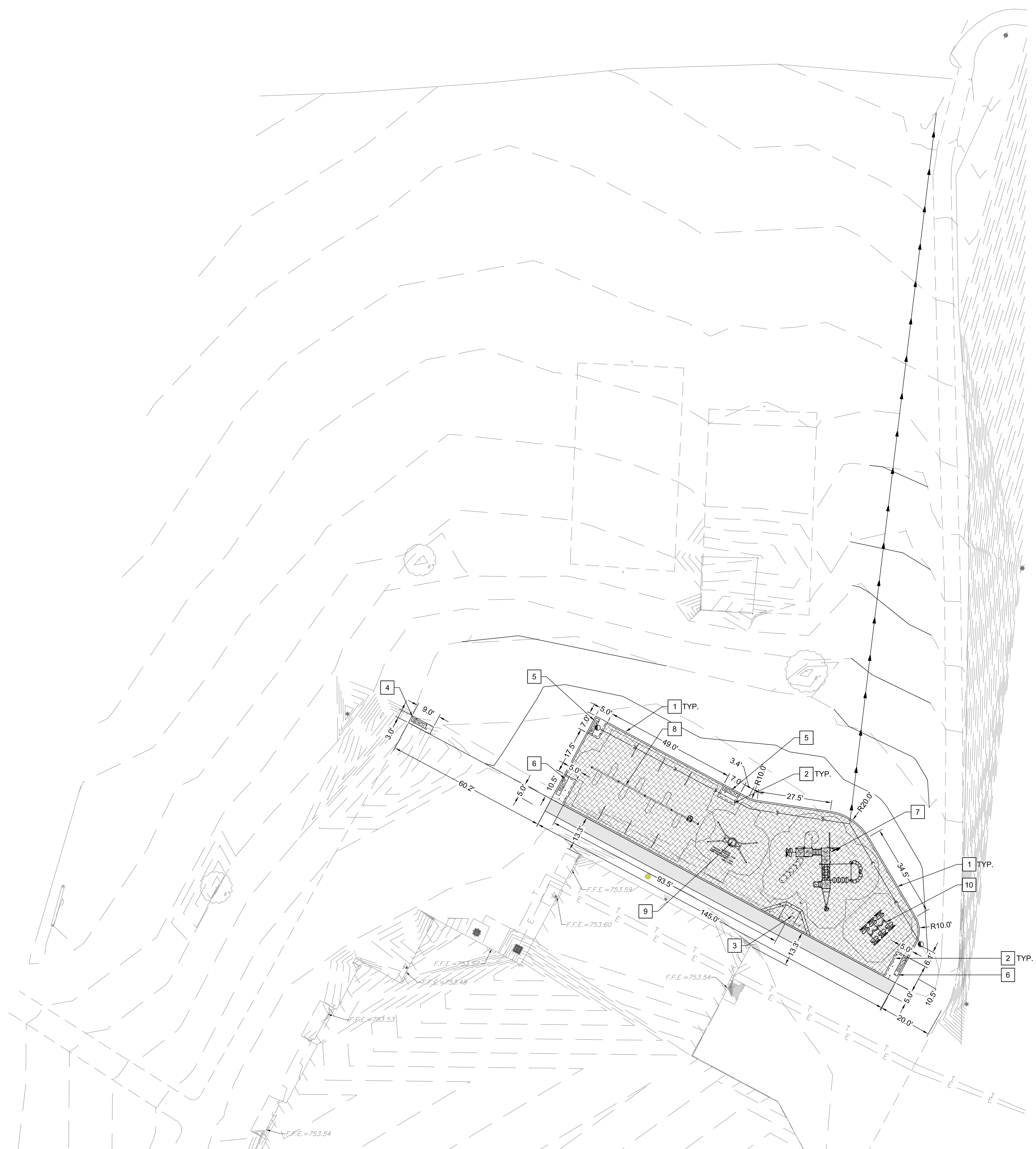
3935 BELLE AIRE LANE
 DOWNERS GROVE, IL 60515

SITE PLAN

Project Number: 210223
 Drawn By: LMB
 Sheet: C2.00

Scale: 1" = 20'

NORTH



S:\Darien\Downers Grove SD58\210223_Belle Aire Playground Renovation\01\1 Drawings\02 CD\200036 C3.00 GRADING AND DRAINAGE PLAN.dwg kbuck Feb 16, 2023 2:34:41 pm
 Wight & Company 2023 All rights reserved. No part of these documents may be reproduced, stored, or transmitted in any form or by any means, electronic, mechanical, photocopying, recording or otherwise, without the prior written consent of Wight.



LEGEND

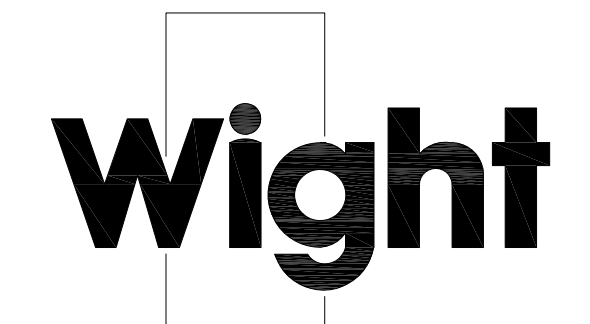
ME	MATCH EXISTING ELEVATION
HP	HIGH POINT
11.77 P	TOP OF PAVEMENT ELEVATION
11.77 G	GROUND ELEVATION
11.77 SW	TOP OF SIDEWALK ELEVATION
11.77 RM	RIM ELEVATION
11.77 PS	PLAY SURFACE
745	EXISTING CONTOUR LINE
745	PROPOSED CONTOUR LINE
2.0%	SLOPE/FLOW DIRECTION
→	STORM SEWER
→	UNDERDRAIN
●	OPEN LID STORM CATCH BASIN
○	CLOSE LID MANHOLE
●	CLEANOUT
◊	INLET PROTECTION
— SF —	SILT FENCE

GRADING NOTES

- CONTRACTOR TO VERIFY ALL EXISTING UTILITY LOCATIONS, SIZES, SLOPES, INVERTS, ETC. AND CONTACT ENGINEER IMMEDIATELY IF THERE ARE ANY CONFLICTS/DISCREPANCIES.
- CONTRACTOR TO PROTECT ALL EXISTING UTILITIES.
- ALL EXISTING UTILITY STRUCTURES SHALL BE ADJUSTED AS NECESSARY TO MATCH FINISH GRADE. ALL EXISTING UTILITY STRUCTURES REQUIRING ADJUSTMENT OR RECONSTRUCTION SHALL BE COMPLETED BY THE CONTRACTOR TO THE SATISFACTION OF THE UTILITY OWNER. ADJUSTMENTS AND/OR RECONSTRUCTIONS NOT CALLED FOR ON THE PLANS SHALL BE CONSIDERED INCIDENTAL TO THE CONTRACT. NO MORE THAN A TOTAL OF 12 INCHES OF ADJUSTING RINGS AND/OR 2 ADJUSTING RINGS SHALL BE ALLOWED.
- ALL SITE WORK SHALL BE IN CONFORMANCE WITH THE ILLINOIS ACCESSIBILITY CODE AND WITH THE AMERICANS WITH DISABILITIES ACT.
- SLOPES BETWEEN SPOT ELEVATIONS ON PATHWAYS SHALL BE CONSISTENT.
- MAXIMUM SLOPE ON ALL PAVED SURFACES IS 1:20 (5%). RAMPS SHALL NOT EXCEED A RUNNING SLOPE OF 1:12 (8.33%).
- ALL SURFACES SHALL BE GRADED FOR POSITIVE DRAINAGE. MAXIMUM CROSS-SLOPE ON ANY WALK OR RAMPS SHALL BE 2% IN DIRECTION INDICATED. IF NO DIRECTION IS INDICATED, GRADE FOR POSITIVE DRAINAGE AWAY FROM WALLS, COLUMNS, STEPS, AND STRUCTURES.
- ALL ACCESSIBLE PARKING SPACES AND LOADING ZONES SHALL HAVE A MAXIMUM SLOPE OF 2% IN ANY DIRECTION.
- AVOID EXCESSIVE FILL IN CRITICAL ROOT ZONES. SEE SPECIFICATIONS. FEATHER NEWLY GRADED AREAS INTO EXISTING GRADE.
- TOPSOIL IN AREAS DESIGNATED FOR PAVING SHALL BE STRIPPED AND RESPREAD IN ACCORDANCE WITH GRADING PLAN. HAUL OFF SITE AND LEGALLY DISPOSE OF UNSUITABLE OR EXCESS EXCAVATED MATERIAL.
- TOPSOIL IN AREAS OF NEWLY CREATED BERMS SHALL BE STRIPPED AND STOCKPILED. CONSTRUCT BERM USING ON SITE FILL MATERIAL OR IMPORTED MATERIAL AS DIRECTED. RESPREAD TOPSOIL IN ACCORDANCE WITH GRADING PLAN AND SPECIFICATIONS.
- TOPSOIL SHALL BE IMPORTED AS NEEDED AND SPREAD AT SPECIFIED DEPTHS TO ACHIEVE FINAL GRADE. GRANULAR FILL WILL NOT BE ACCEPTED UNDER TURF OR PLANTING AREAS.
- PROMPTLY NOTIFY OWNER'S REPRESENTATIVE IS UNSATISFACTORY SUB-GRADE MATERIALS ARE DISCOVERED.
- OBTAIN LANDSCAPE ARCHITECT'S REVIEW OF FINE GRADING PRIOR TO SEEDING OPERATIONS.
- REFER TO SPECIFICATIONS FOR ADDITIONAL CONDITIONS, STANDARDS, AND NOTES.
- ANY SOIL STOCKPILES SHALL BE PROTECTED WITH DOUBLE ROW OF SILT FENCE COIR ROLL AROUND PERIMETER.
- ANY DAMAGE TO TREES WITHIN THE VILLAGE RIGHT OF WAY AS A RESULT OF THIS WORK SHALL BE THE RESPONSIBILITY OF THE APPLICANT TO ADDRESS AT THE DIRECTION OF THE VILLAGE FORESTER.



DOWNERS GROVE GRADE SD 58



Wight & Company
wightco.com

2500 North Frontage Road
Darien, IL 60561

P 630.969.7000
F 630.969.7979

ISSUED FOR BID	02-16-23	
ISSUED FOR PERMIT	01-26-23	
REV	DESCRIPTION	DATE

BELLE AIRE PLAYGROUND

3935 BELLE AIRE LANE
DOWNERS GROVE, IL 60515

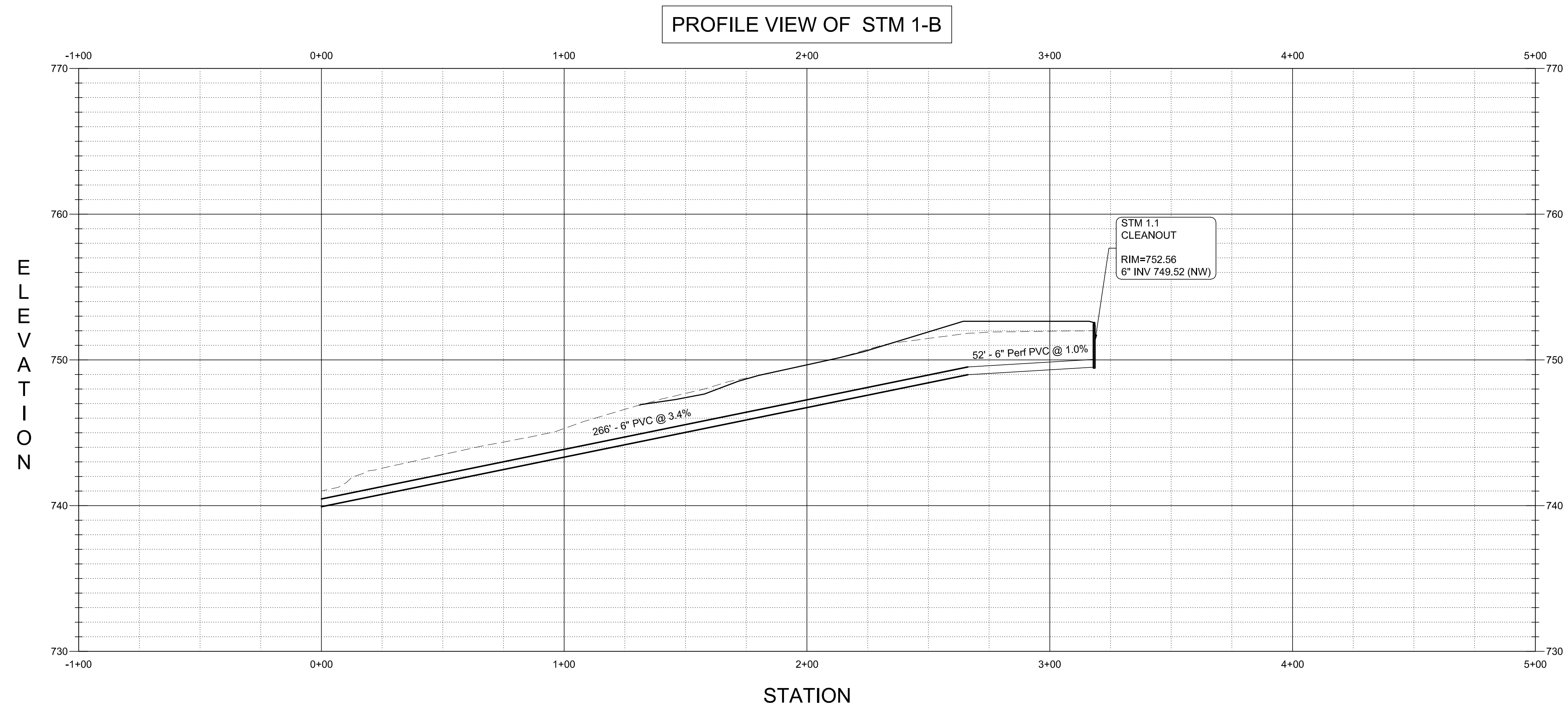
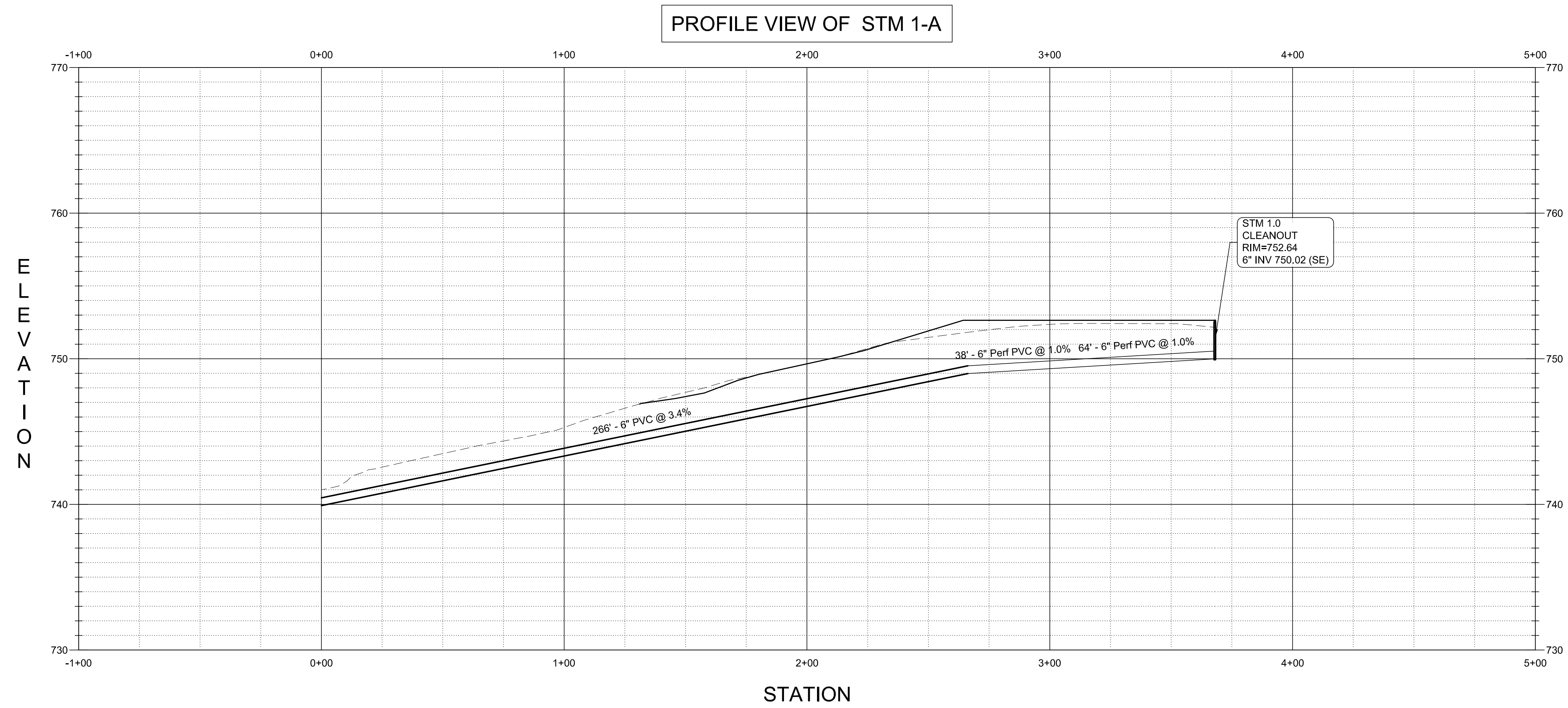
GRADING AND DRAINAGE PLAN

Project Number: 210223
 Scale: 1" = 20'
 Drawn By: LMB
 Sheet: 3 of 3

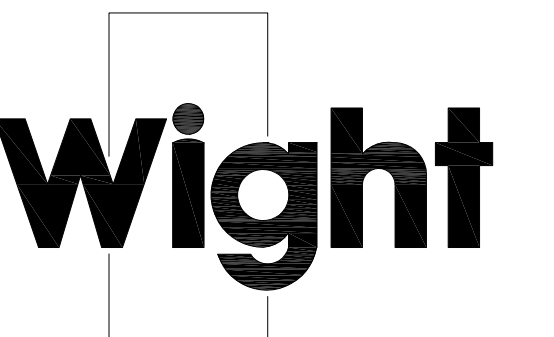


C3.00

S:\Darien\Downers Grove SD58\210223_Belle Aire Playground Renovation\01\11 Drawings\02 CD\200036 C3.01 UTILITY PROFILE PLAN.dwg kbuck Feb 16, 2023 2:34:52 pm
 Wight © Copyright 2023 All rights reserved. No part of these documents may be reproduced, stored, or transmitted in any form or by any means, electronic, mechanical, photocopying, recording or otherwise, without the prior written consent of Wight.



DOWNERS GROVE GRADE SD 58



Wight & Company
 wightco.com

2500 North Frontage Road
 Darien, IL 60561

P 630.969.7000
 F 630.969.7979

ISSUED FOR BID	02-16-23
ISSUED FOR PERMIT	01-26-23
REV	DESCRIPTION DATE

BELLE AIRE PLAYGROUND

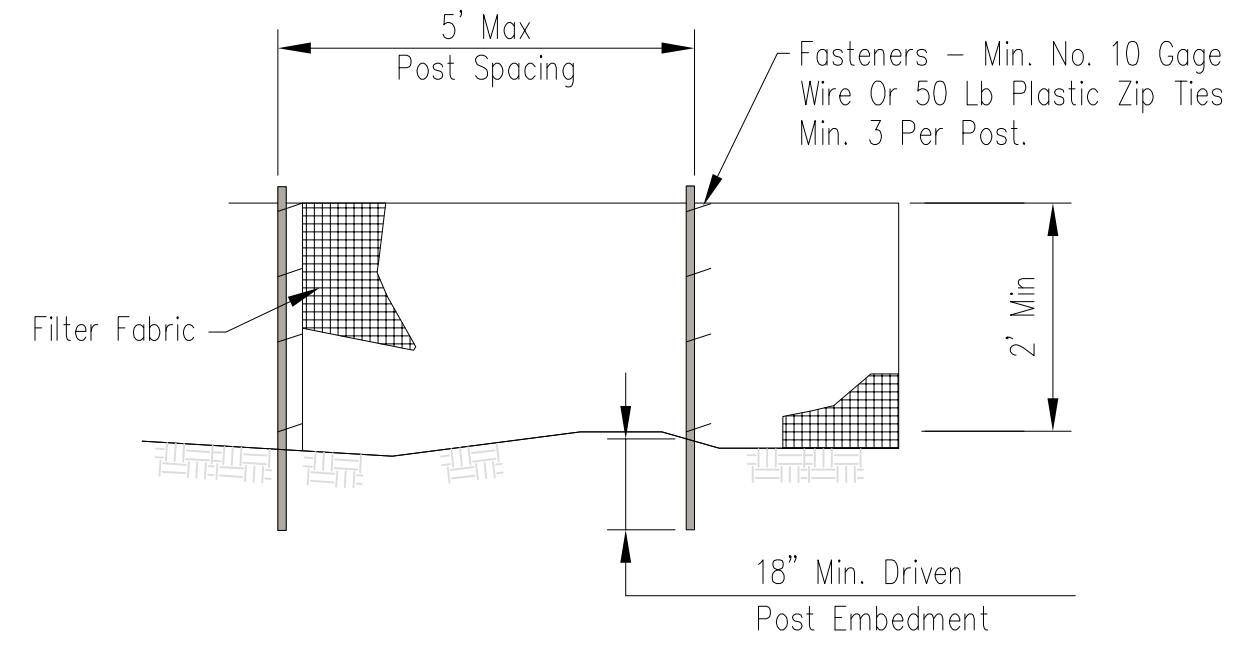
3935 BELLE AIRE LANE
 DOWNERS GROVE, IL 60515

UTILITY PROFILE PLAN

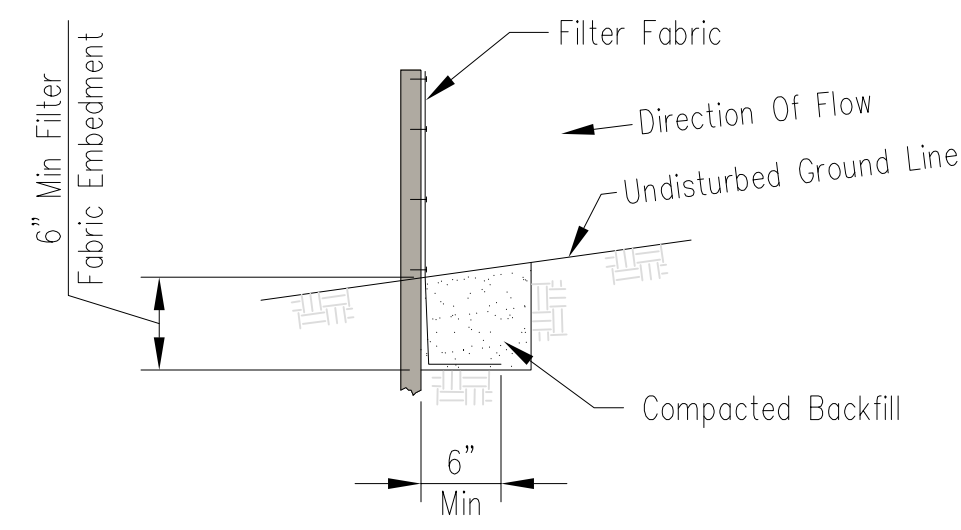
Project Number: 210223
 Drawn By: DE
 Sheet:

C3.01

S:\Darien\Downers Grove SD58\210223_Belle Aire Playground Renovation\01\1 Drawings\02 CD\200036 C4.00 DETAILS.dwg kbuck Feb 16, 2023 2:34:58 pm
 Wight © Copyright 2023 All rights reserved. No part of these documents may be reproduced, stored, or transmitted in any form or by any means, electronic, mechanical, photocopying, recording or otherwise, without the prior written consent of Wight.

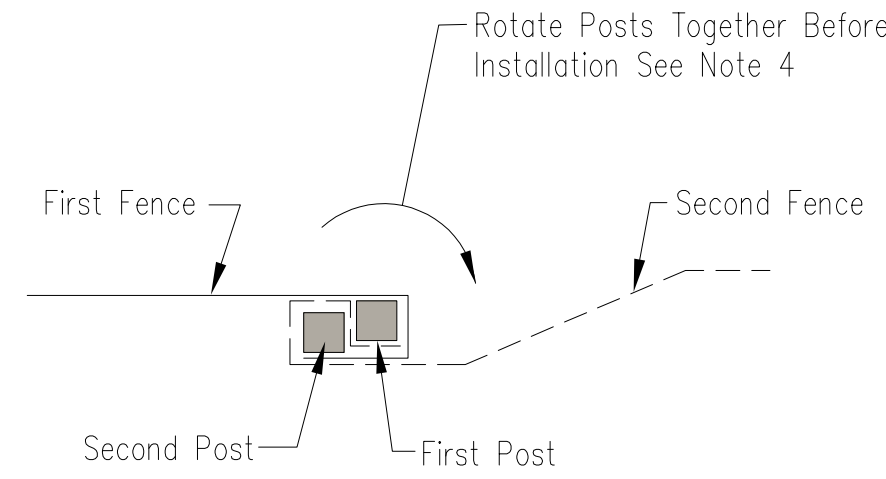


ELEVATION



FABRIC ANCHOR DETAIL

- NOTES:
1. Temporary silt fence shall be installed prior to any grading work in the area to be protected. Fence shall be maintained throughout the construction period and removed in conjunction with the final grading and site stabilization.
 2. Filter fabric shall meet the requirements of material specification 592 Geotextile Table 1 or 2, Class I with equivalent opening size of at least 30 for nonwoven and 50 for woven.
 3. Fence posts shall be either wood post with a minimum cross-sectional area of 1.5" X 1.5" or a standard steel post.
 4. When splices are necessary make splice at post according to splice detail. Place the end post of the second fence inside the end post of the first fence. Rotate both posts together at least 180 degrees to create a tight seal with the fabric material. Cut the fabric near the bottom of the posts to accommodate the 6 inch flap. Then drive both posts and bury the flap. Compact backfill well.



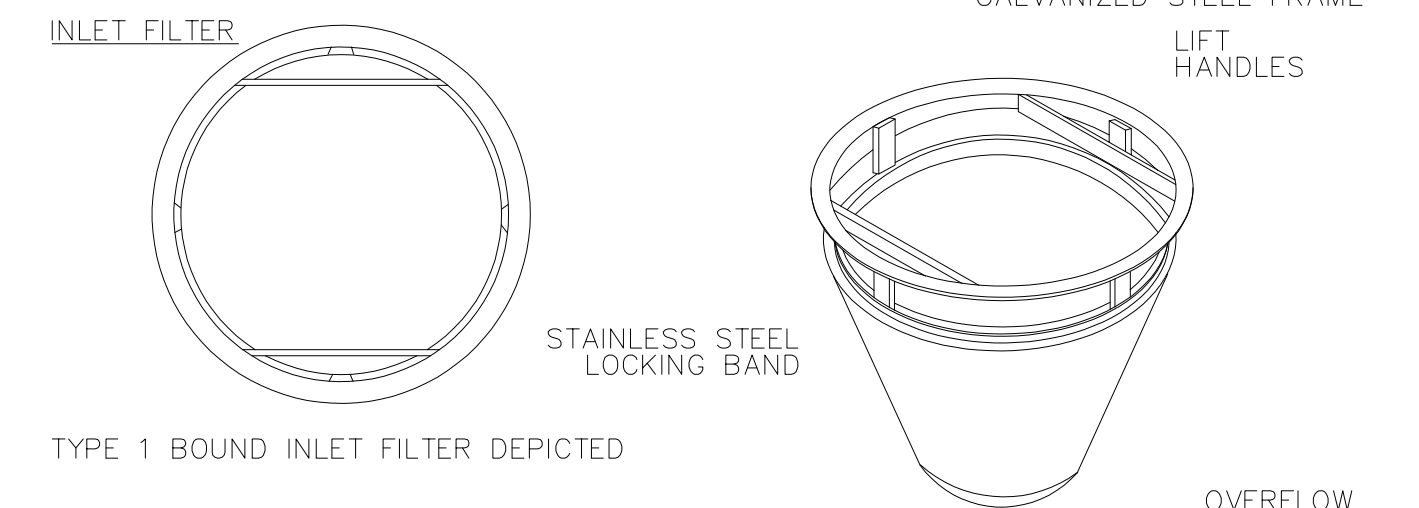
SPICE DETAIL-PLAN VIEW

1 SILT FENCE
SCALE: NTS

Date	_____
Designed	_____
Drawn	_____
Checked	_____
Approved	_____

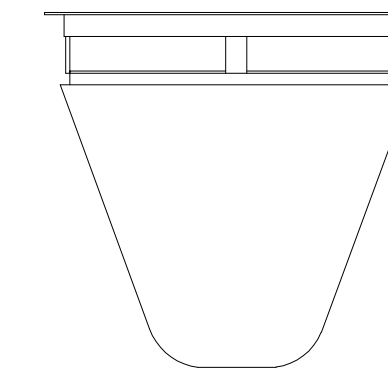
SILT FENCE

United States Department of Agriculture	Conservation Service
File No.	IL-ENG-49
Drawing No.	
Page	1 of 1
Sheet	of



TYPE 1 BOUND INLET FILTER DEPICTED

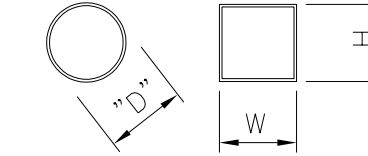
NOTE: ROUND AND SQUARE/RECTANGULAR INLET FILTERS AVAILABLE FOR MOST NEENAH AND EAST JORDAN BEEHIVE, ROLL CURB AND CURB BOX FRAME TYPES.



OVERFLOW FEATURE

GEOTEXTILE FILTER BAG WITH REINFORCED POLYESTER OUTER MESH

IDOT STANDARD FRAME SELECTION



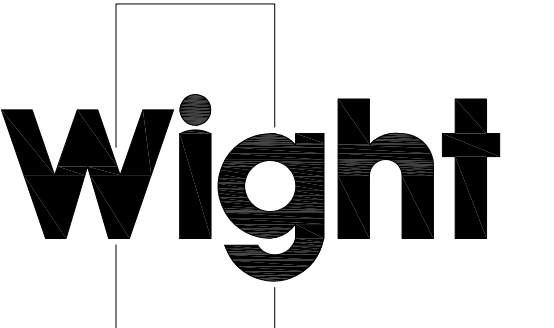
**CERTIFICATION: ALL IPP INLET FILTERS CONFORM TO IDOT SPECIFICATIONS AS OUTLINED IN ARTICLE 1081.15 OF IDOT'S STANDARDS SPECIFICATIONS GUIDE

IDOT Std	Grate Size	Opening	Filter P/N	Approx Dims	Notes
Type 1, 5	22.75 dia	21	2200-1	D=22	Round
Type 8	33 dia	23 (mhole)	2600-8	D=26.5	Round
Type 3, 3V	22 x 16.9	20 x 15	2116-3CB	W=21, H=16	Curb box, flap
Type 11, 11V	28.75 x 11.38	27 x 9.875	2811-11CB	W=28, H=11	Curb box, flap
Type 6	22 x 22.75	20.25 x 23+	2122-6	W=21, H=22	Rolled curb
Type 12	28.75 x 17.25	27 x 16.5+	2817-12	W=28, H=16	Rolled curb
Type 4	21.75 x 14.75	20 x 13	2114-4	W=21, H=14	Rect flat
Type 20, 21, 22	22.5 x 22.5	20 x 20	2222-20	W=22, H=22	Square flat
Type 23	24 x 16.25	22 x 14.5	2316-23	W=23, H=15	Rect flat
Type 24	24 x 22.5	22 x 20.5	2322-24	W=23, H=22	Rect flat

2 DROP INLET PROTECTION FOR STRUCTURES IN IMPERVIOUS AREAS ONLY
SCALE: NTS



DOWNERS GROVE GRADE SD 58



Wight & Company
wightco.com

2500 North Frontage Road
Darien, IL 60561

P 630.969.7000
F 630.969.7979

ISSUED FOR BID 02-16-23

ISSUED FOR PERMIT 01-26-23

REV	DESCRIPTION	DATE
-----	-------------	------

BELLE AIRE PLAYGROUND

3935 BELLE AIRE LANE
DOWNERS GROVE, IL 60515

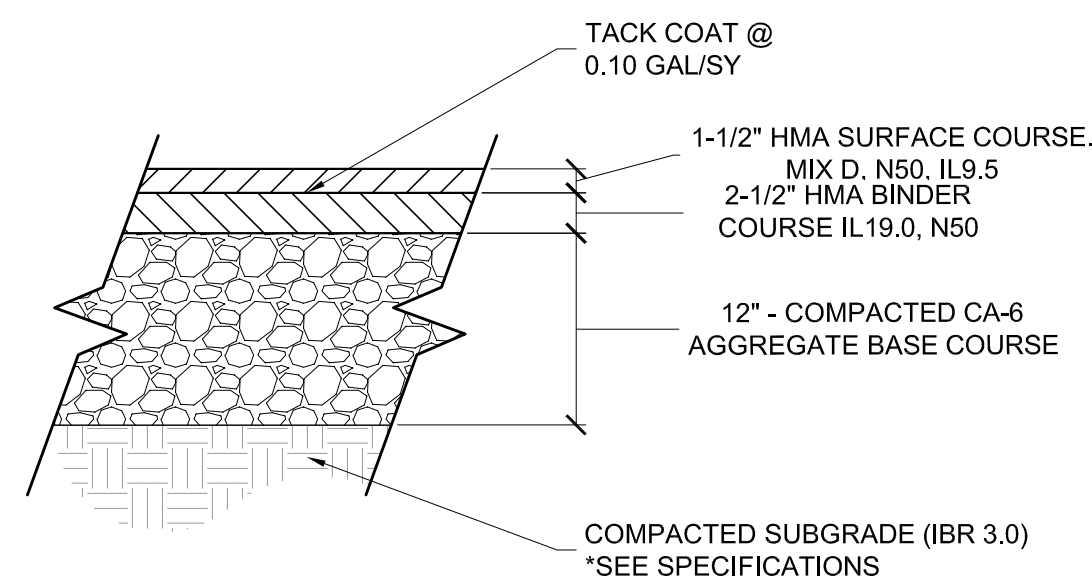
DETAILS

Project Number: 210223
Scale:

Drawn By: LMB
Sheet:

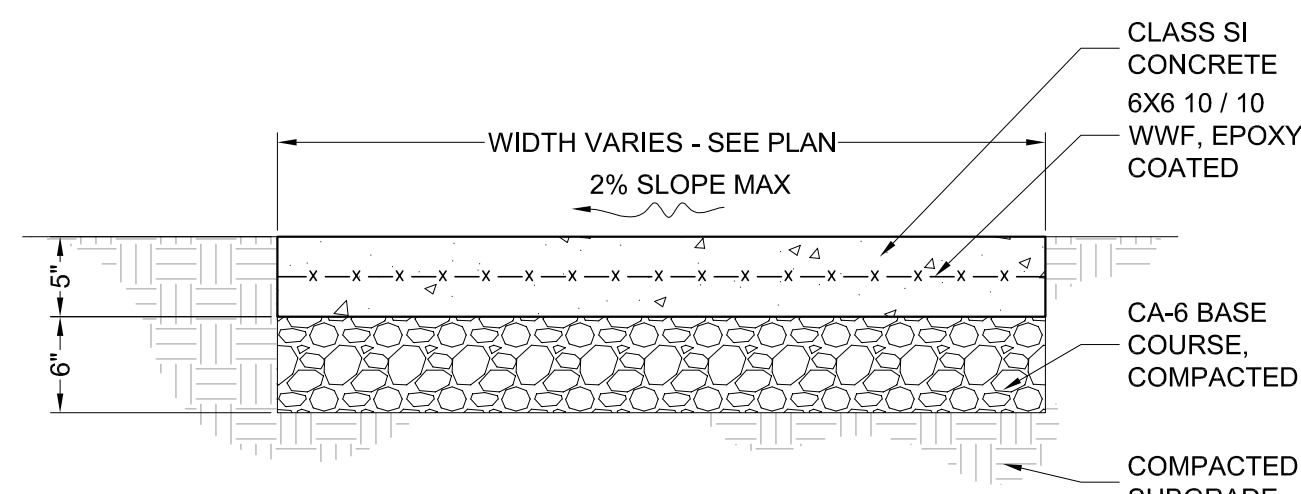
C4.00

S:\Darien\Downers Grove SD58\210223_Belle Aire Playground Renovation\01\11 Drawings\02 CD\200036 C4.00 DETAILS.dwg kbusck Feb 16, 2023 2:35:04 pm
 Wight © Copyright 2023 All rights reserved. No part of these documents may be reproduced, stored, or transmitted in any form or by any means, electronic, mechanical, photocopying, recording or otherwise, without the prior written consent of Wight.



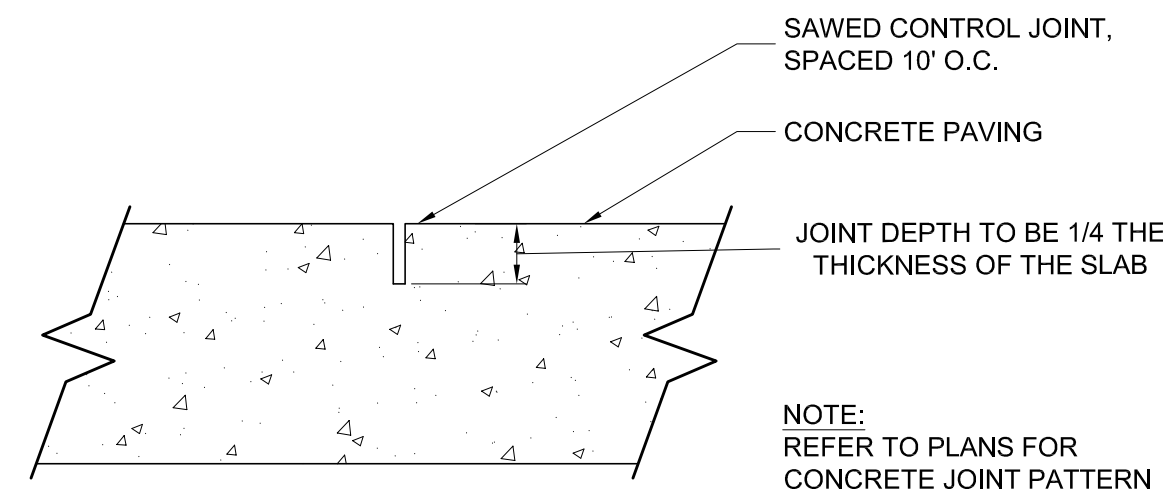
NOTES:
 1. FOR UNSUITABLE SUBGRADES UNDERCUT PER GEOTECHNICAL'S / ENGINEER'S RECOMMENDATION. (2 FOOT MAXIMUM)

1 HMA PAVEMENT - VEHICULAR
 SCALE: 1"=1'-0"

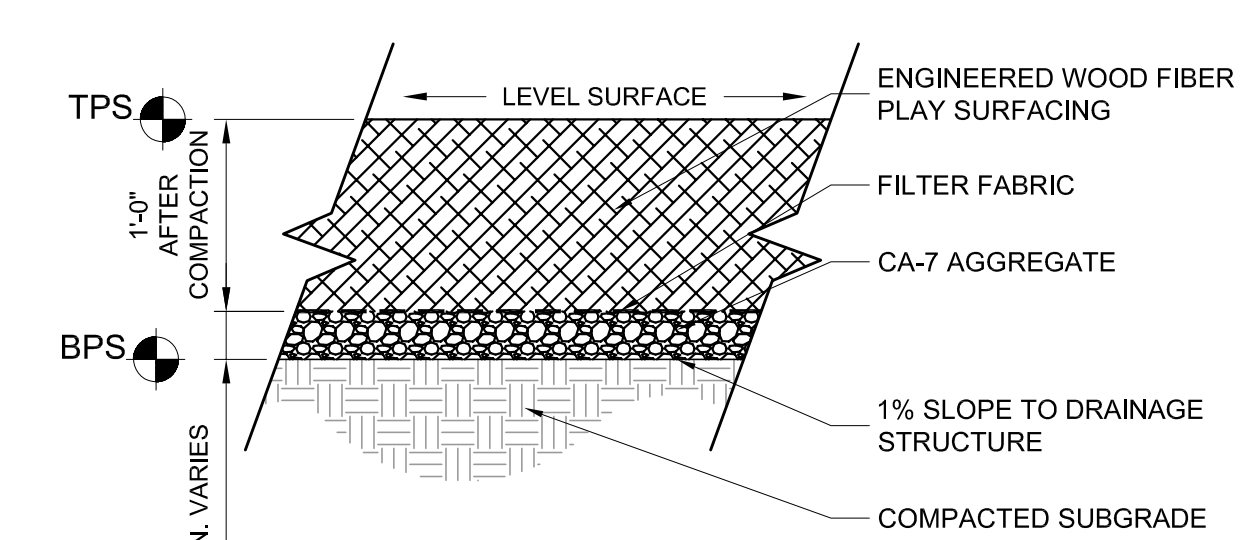


NOTES:
 1. ALL SIDEWALKS SHALL BE CONSTRUCTED WITH IDOT CLASS SI CONCRETE, NOT LESS THAN 3500 P.S.I. CONCRETE AT 14 DAYS.
 2. SIDEWALK THICKNESS CROSS DRIVEWAY SHALL BE A MINIMUM 8".
 3. REFER TO EXPANSION JOINT DETAIL.
 4. THE TRANSVERSE JOINTS SHALL EXTEND TO 1/4 THE DEPTH OF THE SIDEWALK, SHALL NOT BE MORE THAN 1/4" IN WIDTH, AND SHALL BE EDGED HAVING A 1/4 INCH RADIUS. NO SLAB SHALL BE LONGER THAN 6 FEET NOR LESS THAN 4 FEET ON ANY ONE SIDE.

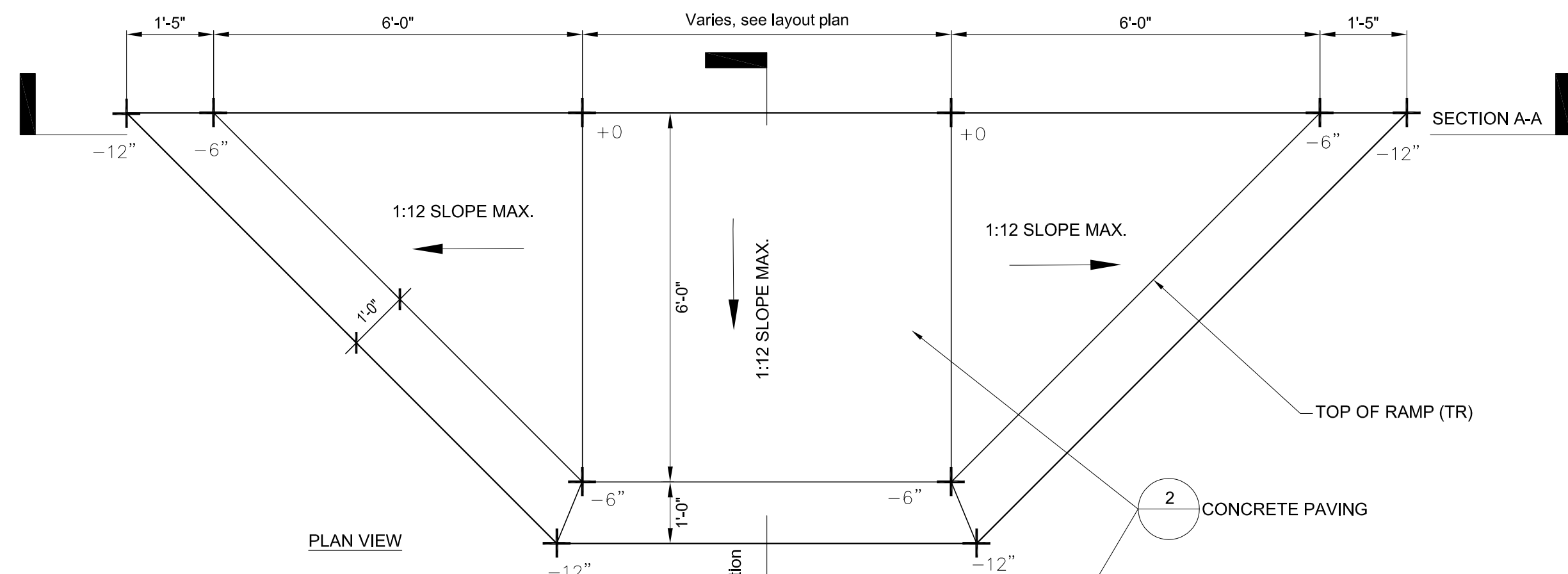
2 CONCRETE PAVING
 SCALE: 1" = 1'-0"



3 CONTROL JOINT
 SCALE: 3" = 1'-0"

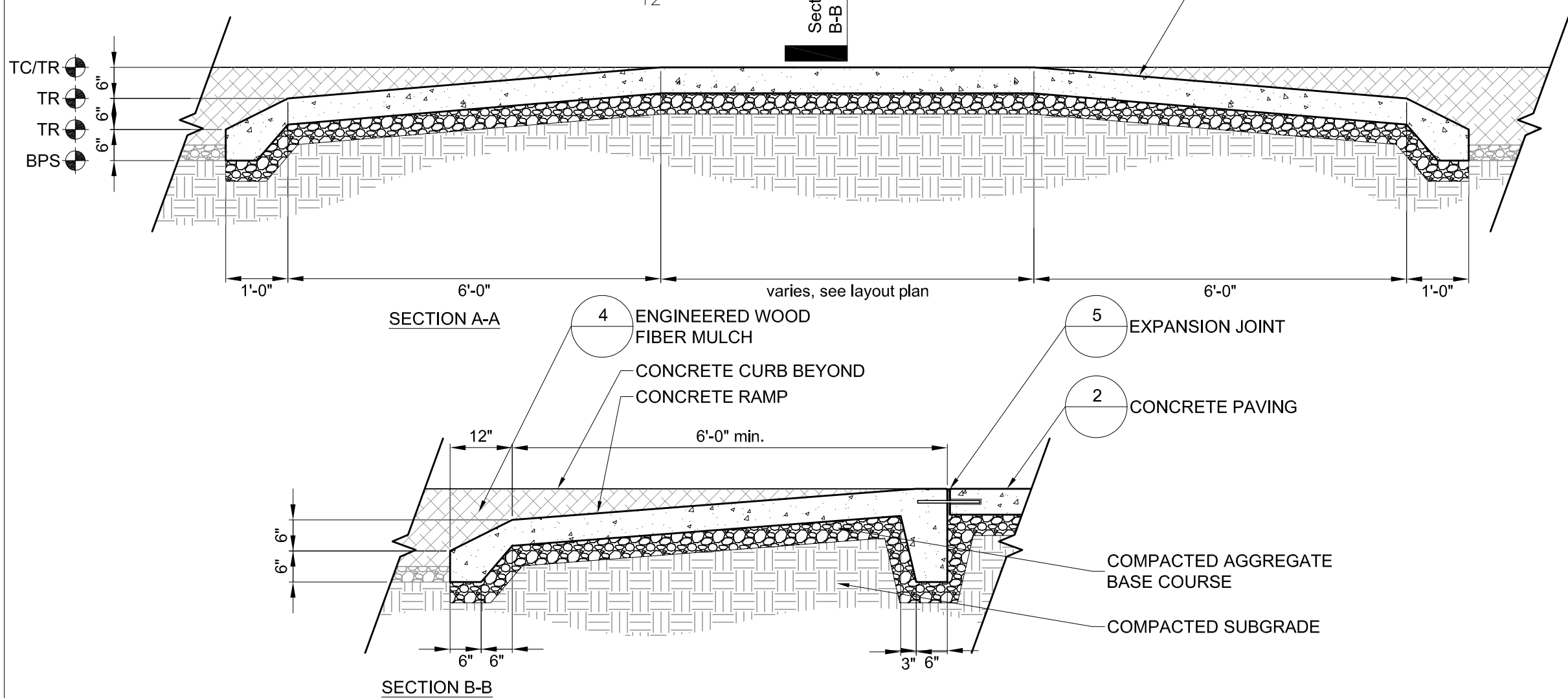


4 PLAY SURFACING - ENGINEERED WOOD FIBER MULCH
 SCALE: 1" = 1'-0"



PLAN VIEW

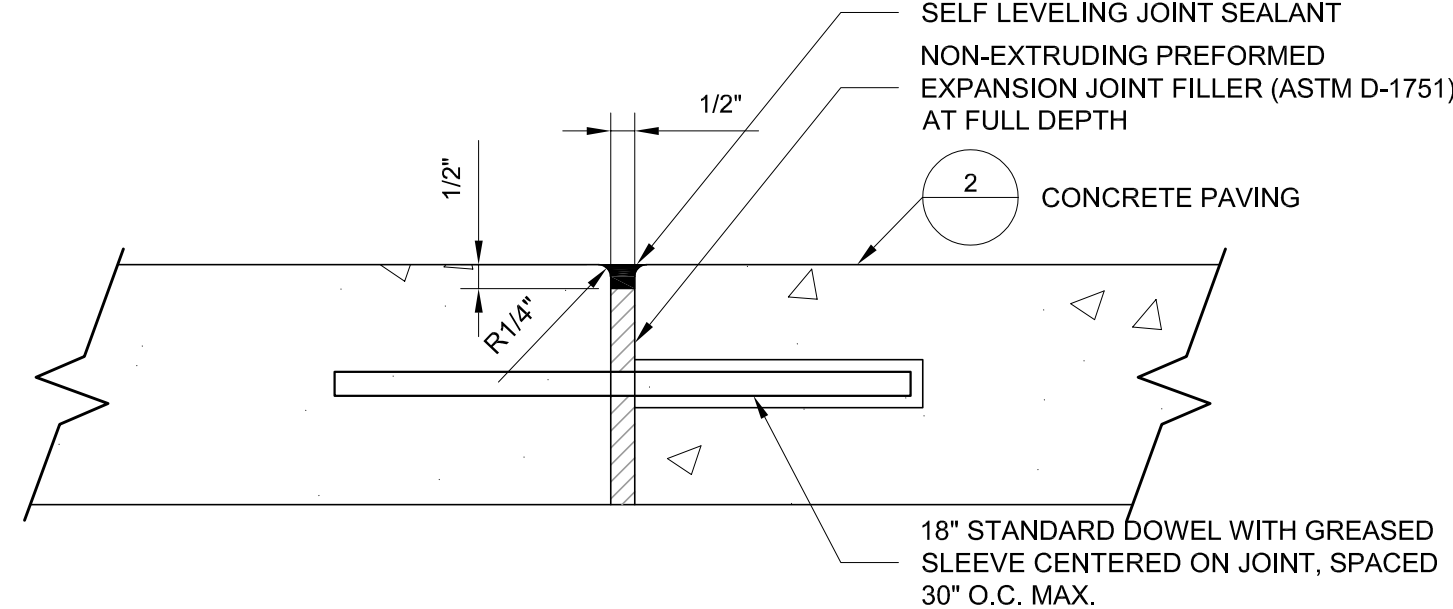
SECTION A-A



SECTION A-A

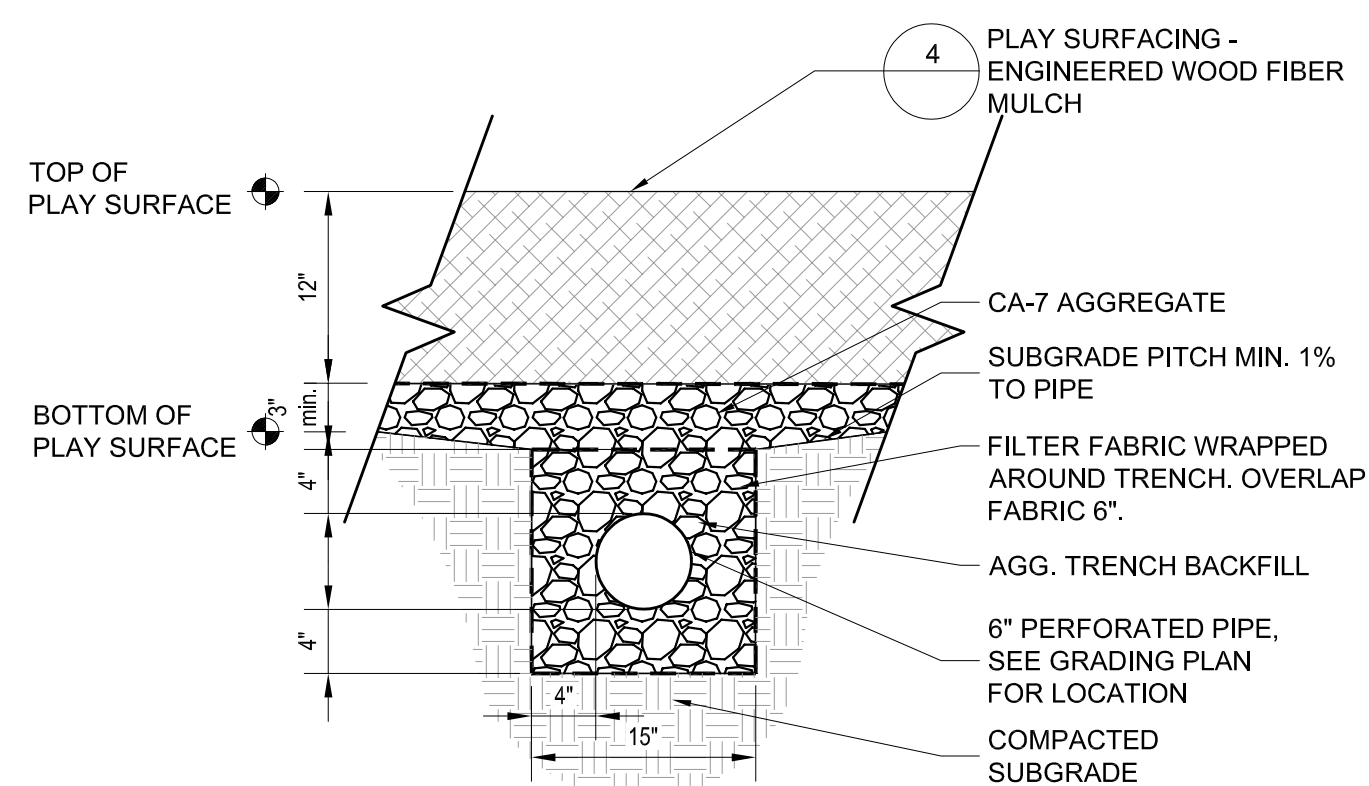
SECTION B-B

7 PLAYGROUND RAMP
 SCALE: 1/2"=1'-0"

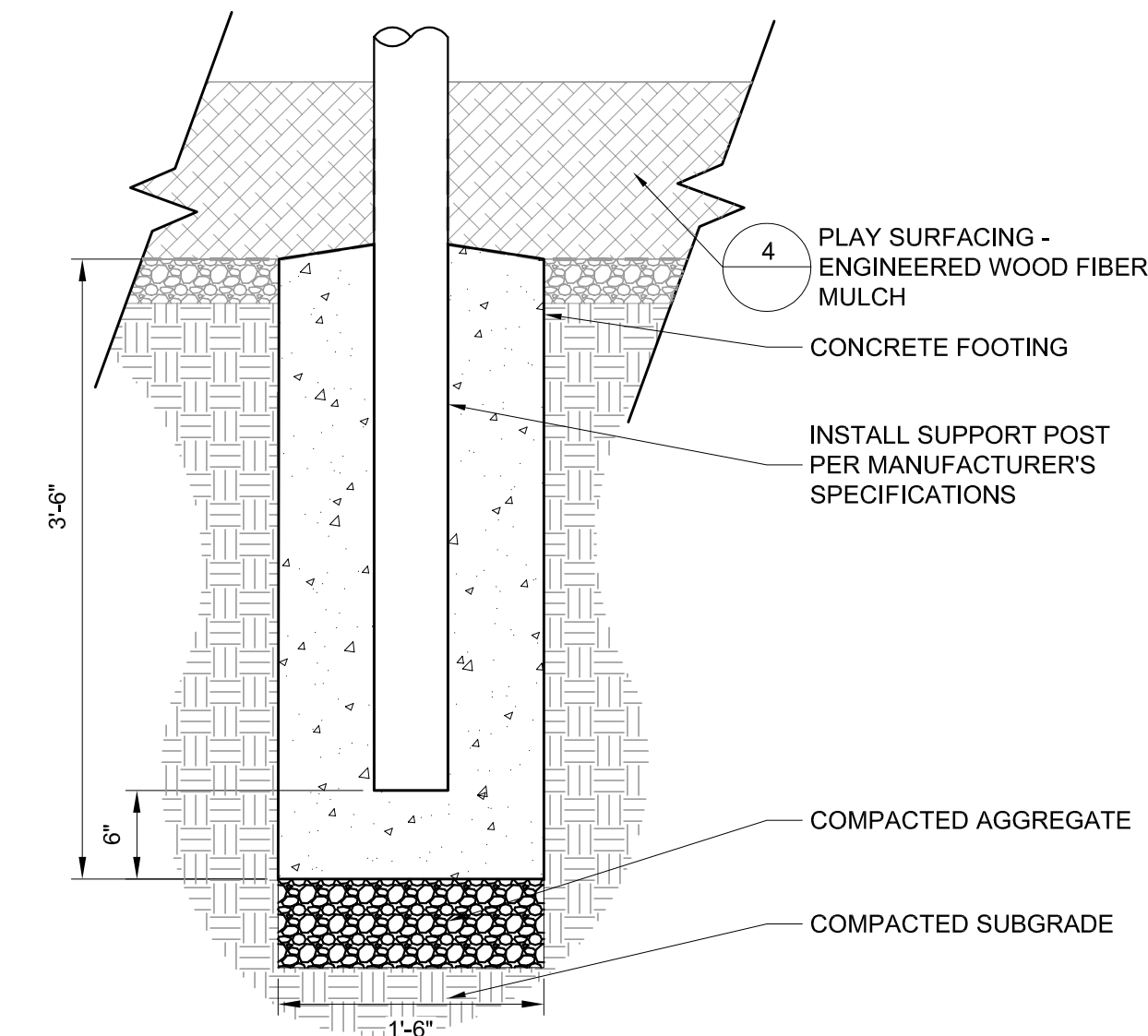


NOTES:
 1. PREFORMED FLEXIBLE FOAM EXPANSION JOINT FILLER NOT ACCEPTED.
 2. EACH EXPANSION JOINT SHALL HAVE (2) 3" DOWEL BARS, 18" LONG AND PROPERLY LUBRICATED, PLACED AT MID DEPTH.
 3. EXPANSION JOINTS 3/8" THICK SHALL BE WHERE PROPOSED CONCRETE MEETS EXISTING CONCRETE, AT 50 FT INTERVALS FOR HAND POURS AND 100 FT INTERVALS FOR SLIP OR MONOLITHIC POURS.
 4. EXPANSION JOINTS 3/8" THICK SHALL BE AT EVERY P.C. & P.T. OF CURVATURE, 5 FT EACH SIDE OF STRUCTURES, AND AT END OF POURS.
 5. PREFORMED EXPANSION JOINT 1/2" THICK SHALL BE PLACED BETWEEN THE SIDEWALK AND ALL STRUCTURES.
 6. EXPANSION JOINTS SHALL ALSO BE PLACED WHERE THE SIDEWALK ABUTS EXISTING SIDEWALKS AND WHERE THE SIDEWALK ABUTS A CURB.
 6. EXPANSION JOINTS SHALL ALSO BE PLACED WHERE THE CURB ABUTS EXISTING CURB.

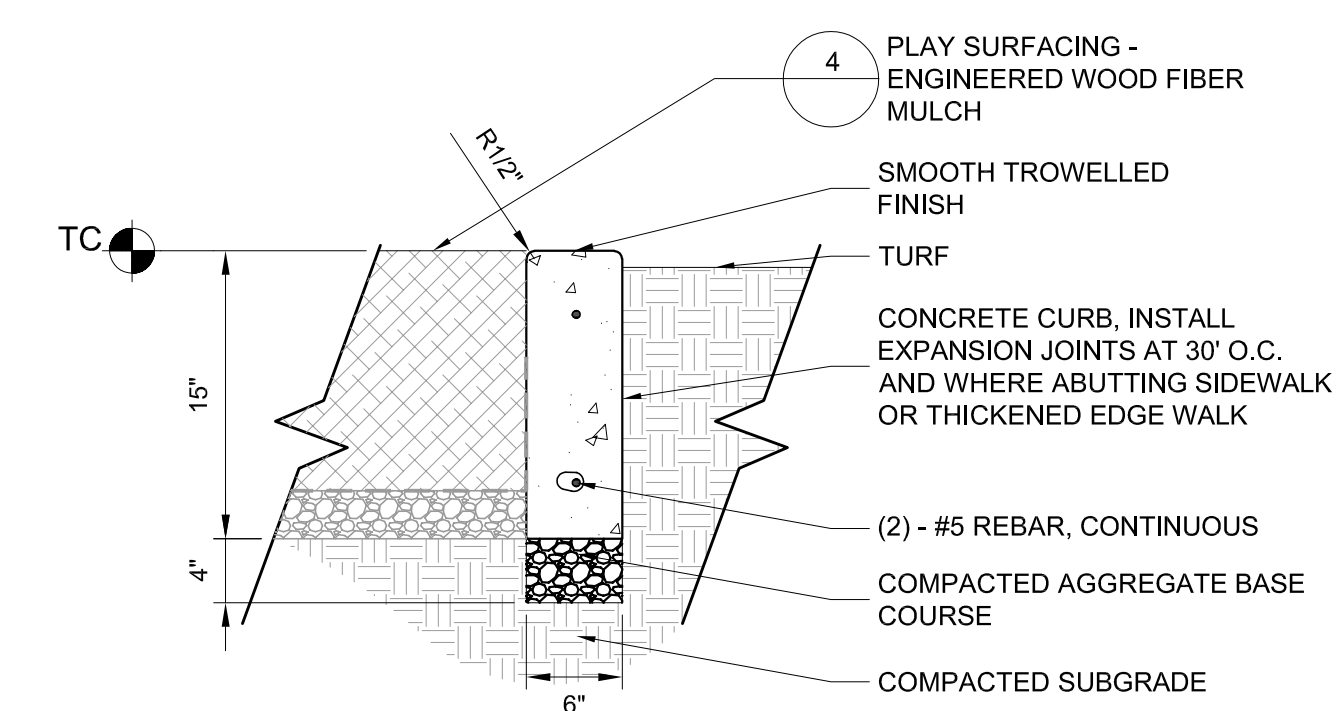
5 EXPANSION JOINT
 SCALE: 3" = 1'-0"



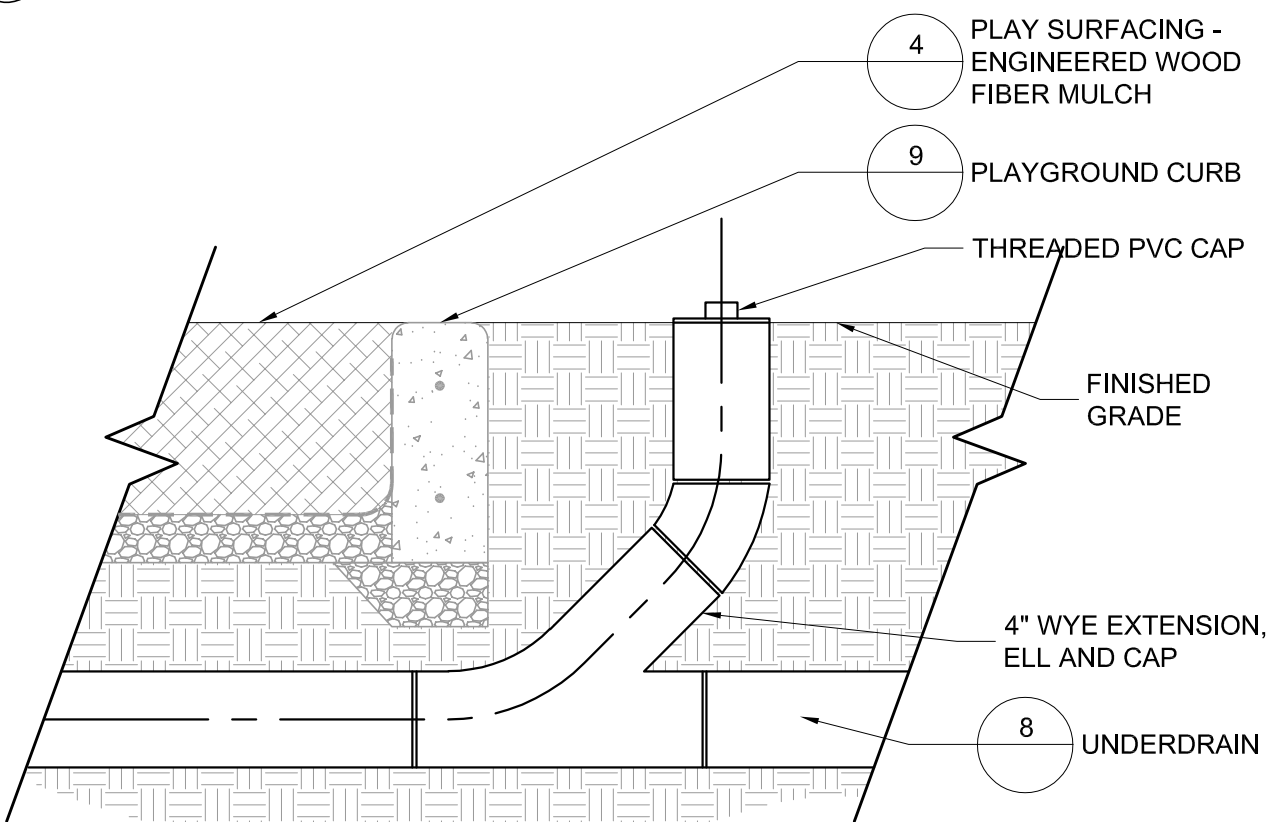
8 UNDERDRAIN - PLAYGROUND
 SCALE: 1" = 1'-0"



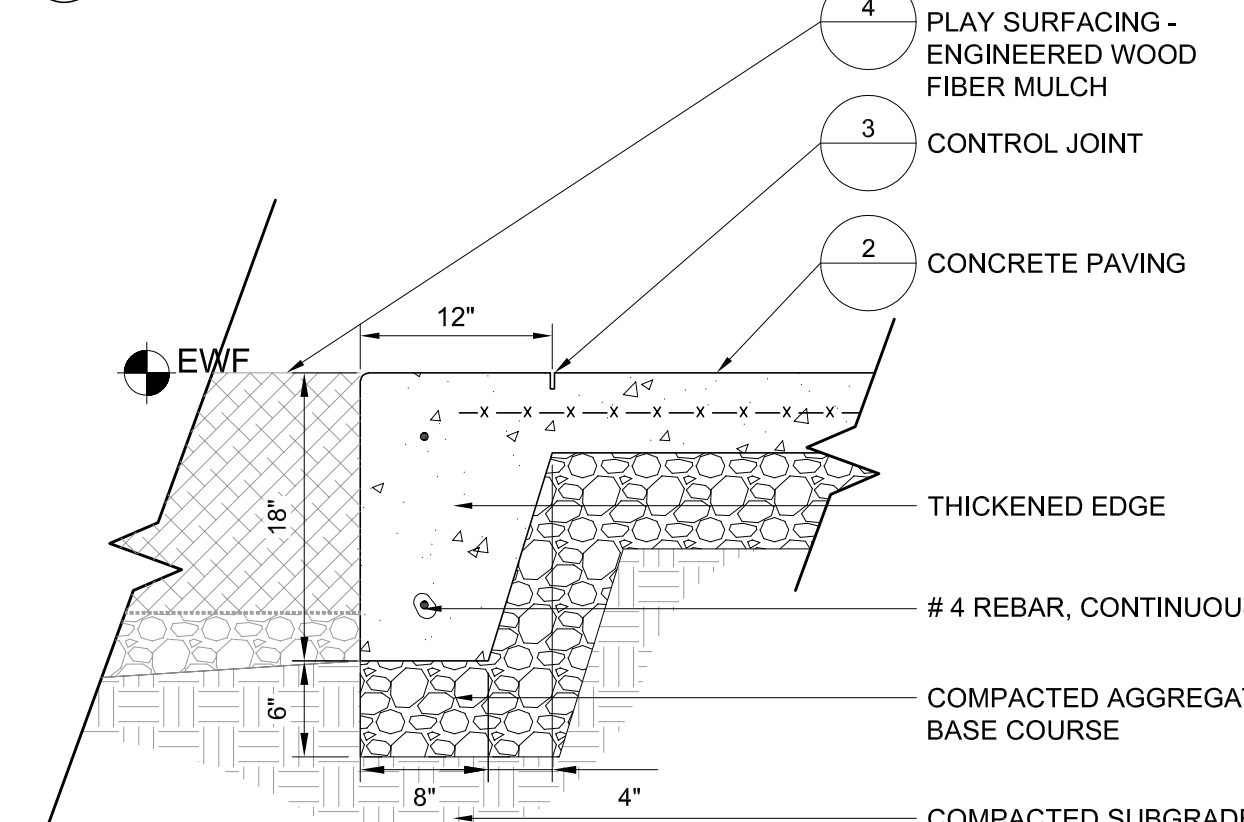
6 PLAY STRUCTURE FOOTING
 SCALE: 1"=1'-0"



9 PLAYGROUND CURB
 SCALE: 1" = 1'-0"



10 CLEANOUT
 SCALE: 1" = 1'-0"



11 THICKENED EDGE CURB
 SCALE: 1"=1'-0"



DOWNERS GROVE GRADE SD 58

Wight

Wight & Company
 wightco.com

2500 North Frontage Road
 Darien, IL 60561

P 630.969.7000
 F 630.969.7979

ISSUED FOR BID	02-16-23
ISSUED FOR PERMIT	01-26-23
REV	DESCRIPTION DATE

**BELLE AIRE
 PLAYGROUND**

3935 BELLE AIRE LANE
 DOWNERS GROVE, IL 60515

DETAILS

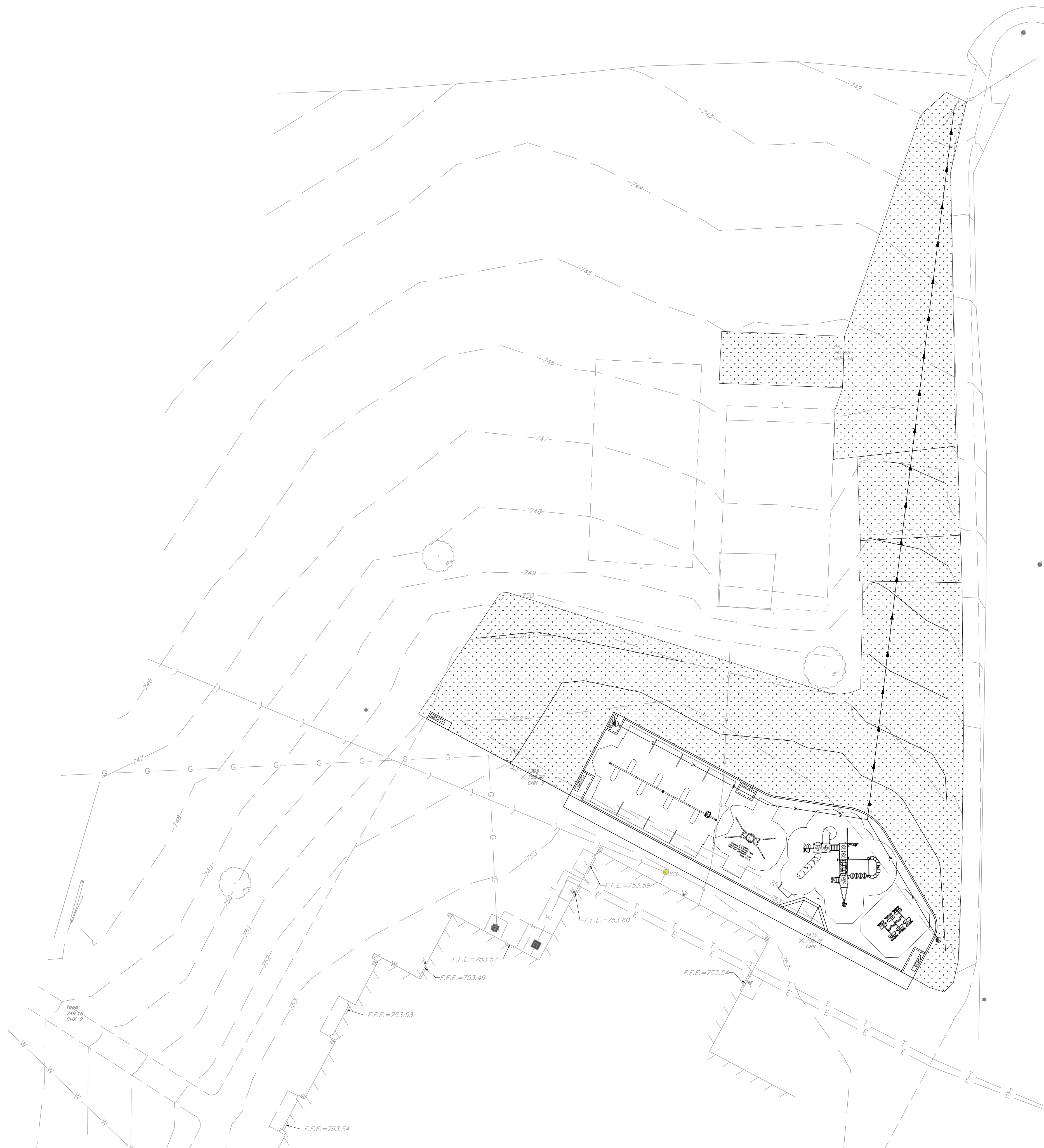
Project Number: 210223
 Scale:

Drawn By: LMB

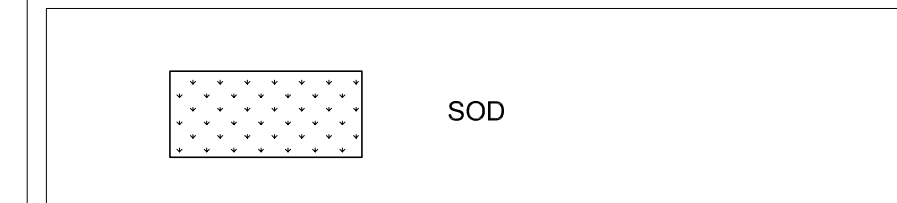
Sheet:

C4.01

S:\Darien\Downers Grove SD58\210223_Belle Aire Playground Renovation\01\11 Drawings\02 CD\200036 L1.00 LANDSCAPE PLAN.dwg kbuck Feb 16, 2023 2:35:26 pm
 Wight © Copyright 2023 All rights reserved. No part of these documents may be reproduced, stored, or transmitted in any form or by any means, electronic, mechanical, photocopying, recording or otherwise, without the prior written consent of Wight.



LEGEND



LANDSCAPE NOTES

1. SOD LIMIT LINE IS APPROXIMATE. RESTORE TO LIMITS OF DISTURBANCE. ALL AREAS DISTURBED BY CONSTRUCTION SHALL BE RESTORED WITH TOPSOIL (MIN. 6" DEPTH), FERTILIZER, AND SOD AS SHOWN.
2. CONTRACTOR RESPONSIBLE TO RESTORE ALL AREAS DISTURBED BY CONSTRUCTION, OUTSIDE SCOPE LIMIT, TO EXISTING CONDITION.
3. THE CONTRACTOR SHALL PROTECT ALL TREES SHOWN ON THE PLANS. CONTRACTOR SHALL INSTALL TREE PROTECTION FENCING AS SHOWN ON PLANS AND DETAILS PRIOR TO BEGINNING WORK.
4. THE CONTRACTOR WILL MAKE NO SUBSTITUTIONS WITHOUT PRIOR WRITTEN CONSENT BY THE LANDSCAPE ARCHITECT. THE CONTRACTOR WILL SUBMIT ANY SUBSTITUTIONS IN WRITING TO THE LANDSCAPE ARCHITECT.
5. ALL PLANTING TECHNIQUES AND METHODS SHALL BE CONSISTENT WITH THE LATEST EDITION OF "AMERICAN STANDARD FOR NURSERY STOCK" AND AS DETAILED ON THESE DRAWINGS. DISCREPANCIES SHALL BE REPORTED IMMEDIATELY TO THE LANDSCAPE ARCHITECT.
6. TREES PLACED IN TURF AREAS WILL HAVE 6' DIA. MULCH RING WITH 3" DEEP SPADE CUT EDGE.
7. TREES SHALL BE INSTALLED A MINIMUM OF 10' HORIZONTALLY FROM NEAREST LIGHT POLE.
8. TREES SHALL BE INSTALLED A MINIMUM OF 5' HORIZONTALLY FROM UNDERGROUND ELECTRICAL FEEDERS, SANITARY SEWERS, SANITARY SERVICES, WATER MAINS, AND WATER SERVICES.
9. TREES SHALL BE INSTALLED A MINIMUM OF 10' HORIZONTALLY FROM UTILITY STRUCTURES AND APPURTENANCES, INCLUDING, BUT NOT LIMITED TO MANHOLES, VALVE VAULTS, VALVE BOXES, AND FIRE HYDRANTS.
10. ANY AREA COMPACTED BY CONSTRUCTION TRAFFIC SHALL BE TILLED OR RESTORED TO ALLOW FOR SUITABLE PLANTING CONDITIONS.
11. THE CROWNS AND ROOTS OF TREES WHICH ARE TO BE PRESERVED IN THE PROJECT AREA, BUT WHICH COULD BE NEGATIVELY AFFECTED DURING THE CONSTRUCTION PROCESS, SHALL BE PRUNED BY A QUALIFIED ARBORIST ACCORDING TO THE TREE PRUNING STANDARDS SET BY ANSI Z100 CODE.
12. USE MWIRDBIOSOLIDS FOR AMENDING TOPSOIL.
13. CONTRACTOR SHALL INCLUDE DAILY WATERING FOR ALL SOD, FOR A 3-WEEK DURATION.
14. CONTRACTOR RESPONSIBLE FOR MAINTAINING EXISTING AND NEW TURF TO VILLAGE ORDINANCE STANDARDS DURING CONSTRUCTION ACTIVITIES. THIS INCLUDES MOWING, WEED WHIPPING & TRASH REMOVAL.
15. EXISTING TREES TO REMAIN SHALL HAVE A 6' DIAMETER MULCH RING INSTALLED WITH 3" DEEP SPADE CUT EDGE.
16. CONTRACTOR RESPONSIBLE TO RESTORE CONSTRUCTION ENTRANCE WITH SOD.



DOWNERS GROVE GRADE SD 58



Wight & Company
wightco.com

2500 North Frontage Road
Darien, IL 60561

P 630.969.7000
F 630.969.7979

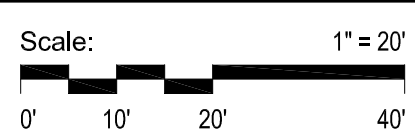
ISSUED FOR BID	02-16-23	
ISSUED FOR PERMIT	01-26-23	
REV	DESCRIPTION	DATE

BELLE AIRE PLAYGROUND

3935 BELLE AIRE LANE
DOWNERS GROVE, IL 60515

LANDSCAPE PLAN

Project Number: 210223
 Drawn By: LMB
 Sheet:



L1.00